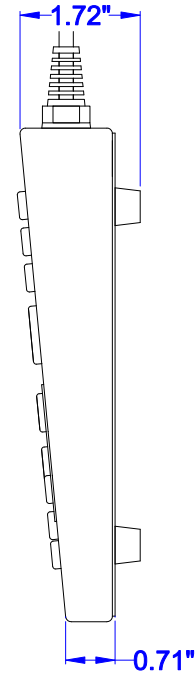
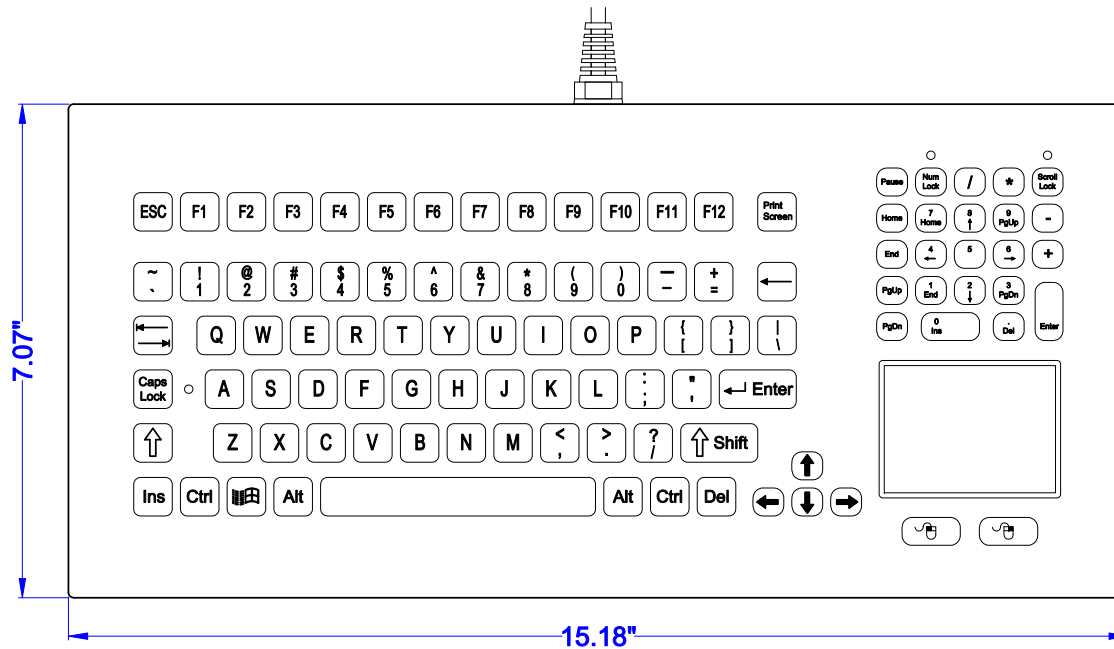


DT-102-SS

| DATE | CHANGES | INTL | REV |
|----------|----------|------|-----|
| 09.30.09 | Original | JB | 1.0 |
| | | | |



KEY SWITCH

MATERIAL: Brushed Stainless Steel
LIFE: Greater Than 10 Million Cycles
TRAVEL: 0.079 in.
ACTUATION FORCE: 4.23 oz. +/- 0.18oz (120g +/- 5g)
FEEDBACK: Tactile with Mechanical Snap

POWER

PS2:
KEYBOARD: 50mA@5V (from Keyboard port)
POINTER: 10mA@5V (from Mouse port)
USB: 60mA@5V (from CPU port)

TEMPERATURE RANGE

STORAGE: -40°F to +149°F (-40°C to +65°C)
OPERATING: +32°F to +140°F (0°C to +60°C)

HUMIDITY

100% Humidity Resistant

VIBRATION

POWER SPECTRAL DENSITY: .04g²/HZ
FREQUENCY RANGE: 20Hz-2Khz
DURATION OF TEST PER AXIS: 3 hours

SHOCK

3 X 11 ms pulses of 50g on each of 3 axis

WEIGHT

5.50 lbs +/- 0.10 lbs (2.49 kg +/- 0.05 kg)

PROPRIETARY AND CONFIDENTIAL

SCALE: 1:2.75



iKey, Ltd.
 2621 Ridgpoint Dr. Suite 235
 Austin, Texas 78754

©2009 iKey, Ltd.
 Voice: (512) 837-0283
 Fax: (512) 927-8630

Part Number: DT-102-SS

Drawing Title: DT-102-SS-MKT

Drawing Number: MKT0219

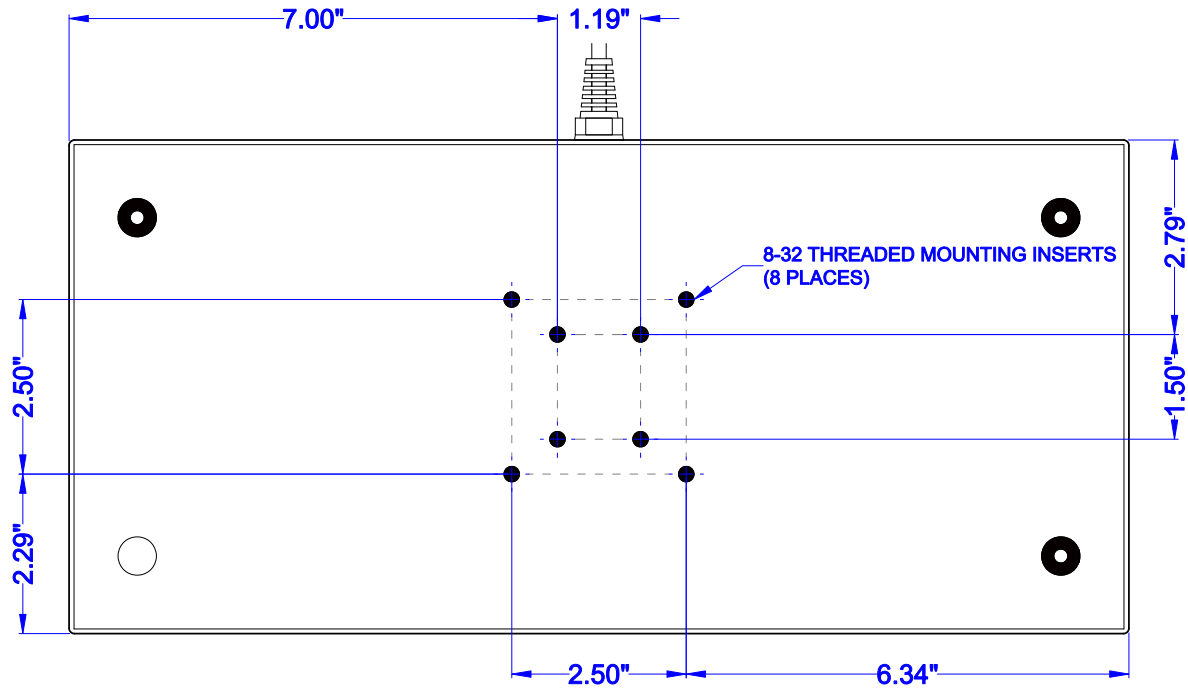
Revision: 1.0

Sheet: 1 OF 2

Date: 09.30.09

JWB

DT-102-SS BACK / MOUNTING



ENCLOSURE CASE: Stainless Steel

PROPRIETARY AND CONFIDENTIAL

SCALE: 1:2.75



iKey, Ltd.
2621 Ridgpoint Dr. Suite 235
Austin, Texas 78754

©2008 iKey, Ltd.
Voice: (512) 837-0283
Fax: (512) 927-8630

Part Number: DT-102-SS

Drawing Number: MKT0219

Sheet: 2 OF 2

Drawing Title: DT-102-SS-MKT

Revision: 1.0

Date: 09.30.09

JWB