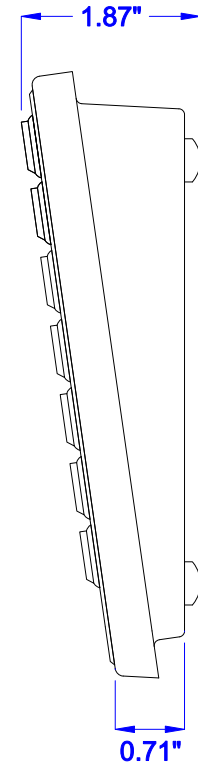
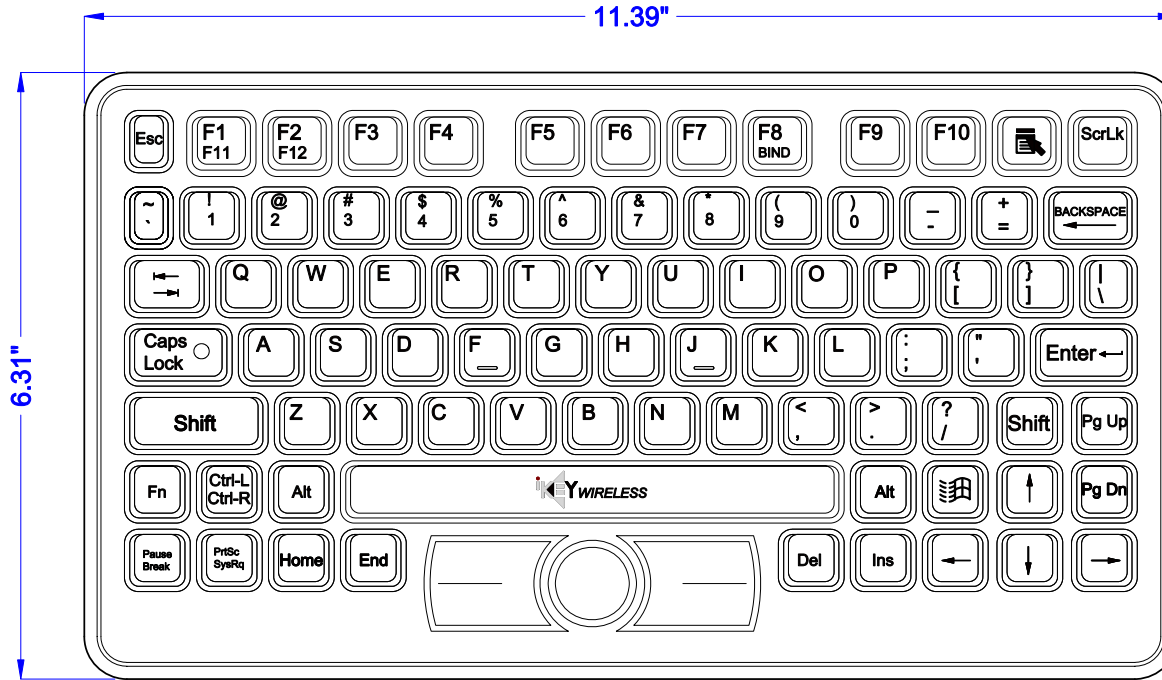


# DW-860

DATE	CHANGES	INTL	REV
02.22.06	Original		1.00
01.08.09	New Case, Integrated Batteries	JB	2.00



## KEY SWITCH

**MATERIAL:** Industrial Silicone Rubber  
**LIFE:** Greater Than 10 Million Cycles  
**TRAVEL:** 0.055 in.  
**ACTUATION FORCE:** 7.05 oz. +/- 1.06oz (200g +/- 30g)  
**FEEDBACK:** Tactile with Mechanical Snap

## POWER

**WIRELESS:** 3 AA Batteries

## TEMPERATURE RANGE

**STORAGE:** -40°F to +158°F (-40°C to +70°C)  
**OPERATING:** -4°F to +140°F (-20°C to +60°C)

## HUMIDITY

100% Humidity Resistant

## VIBRATION

**POWER SPECTRAL DENSITY:** .04g/HZ  
**FREQUENCY RANGE:** 20Hz-2Khz  
**DURATION OF TEST PER AXIS:** 3 hours

## SHOCK

3 X 11 ms pulses of 50g on each of 3 axis

## WEIGHT

2.00 lbs +/- 0.10 lbs (0.91 kg +/- 0.05 kg)

PROPRIETARY AND CONFIDENTIAL

SCALE: 1:2



**iKey, Ltd.**  
 2621 Ridgpoint Dr. Suite 235  
 Austin, Texas 78754

©2008 iKey, Ltd.  
 Voice: (512) 837-0283  
 Fax: (512) 927-8630

**Part Number:** DW-860

**Drawing Title:** DW-860-MKT

**Drawing Number:** MKT0059

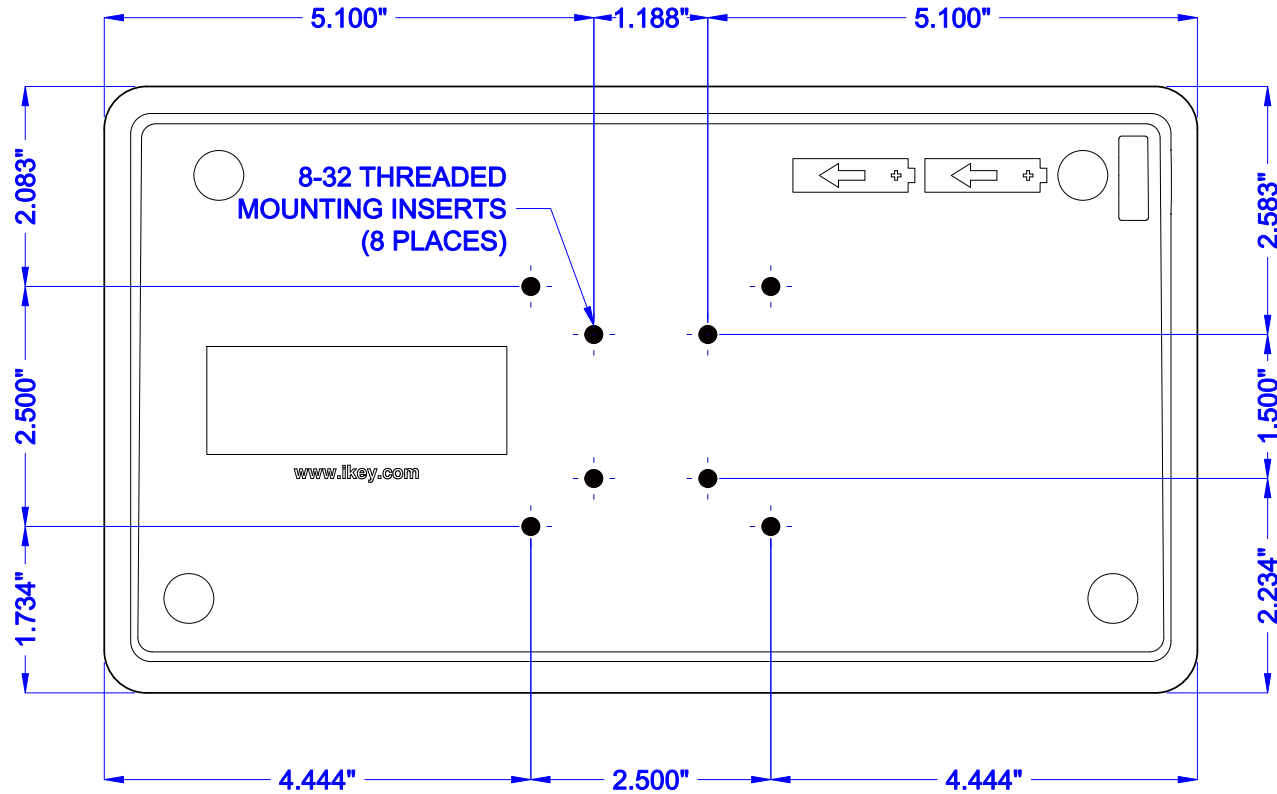
**Revision:** 2.00

**Sheet:** 1 OF 2

**Date:** 01.08.09

**JWB**

# DW-860 BACK / MOUNTING



ENCLOSURE CASE: ABS/Polycarbonate

PROPRIETARY AND CONFIDENTIAL

SCALE: 1:2



iKey, Ltd.  
2621 Ridgpoint Dr. Suite 235  
Austin, Texas 78754

©2008 iKey, Ltd.  
Voice: (512) 837-0283  
Fax: (512) 927-8630

Part Number: DW-860  
Drawing Title: DW-860-MKT

Drawing Number: MKT0059  
Revision: 2.00

Sheet: 2 OF 2  
Date: 01.08.09

JWB