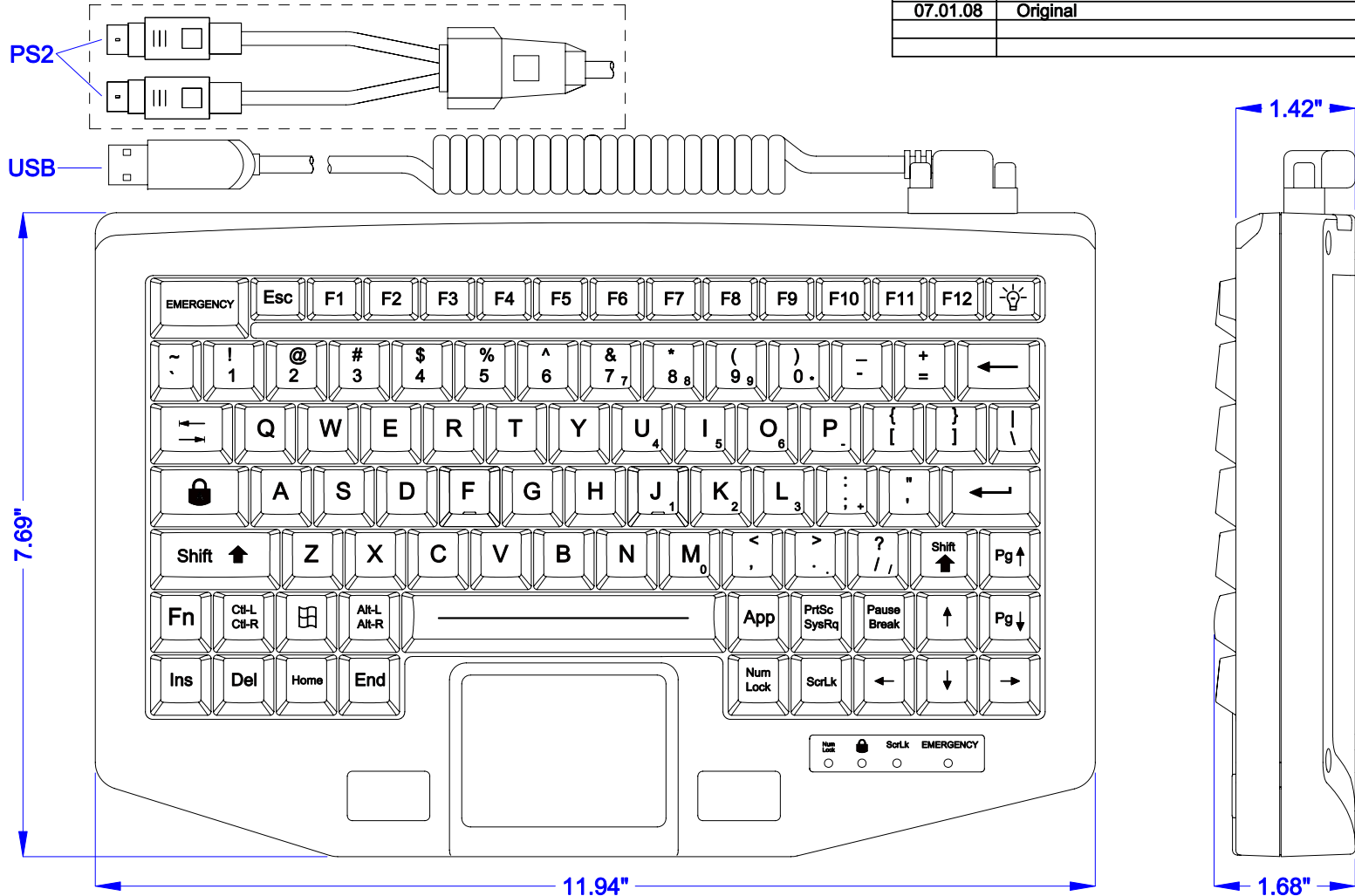


FT-86-911-TP

DATE	CHANGES	REV
07.01.08	Original	1.00



KEY SWITCH

MATERIAL: ABS/Polycarbonate
 LIFE: Greater Than 10 Million Cycles
 TRAVEL: 0.120 in.
 ACTUATION FORCE: 2.20 oz. +/- 0.18 oz (62.39g +/- 5g)
 FEEDBACK: Tactile with Mechanical Snap

TEMPERATURE RANGE

STORAGE: -40°F to +149°F (-40°C to +65°C)
 OPERATING: 32°F to +140°F (0°C to +60°C)

VIBRATION

POWER SPECTRAL DENSITY: .04g/HZ
 FREQUENCY RANGE: 20Hz-2Khz
 DURATION OF TEST PER AXIS: 3 hours

POWER

PS2: KEYBOARD: 315mA@5V (from Keyboard port)
 TOUCH PAD: 10mA@5V (from Mouse port)
 USB: 325mA@5V (from CPU port)

HUMIDITY

85% Humidity Resistant

SHOCK

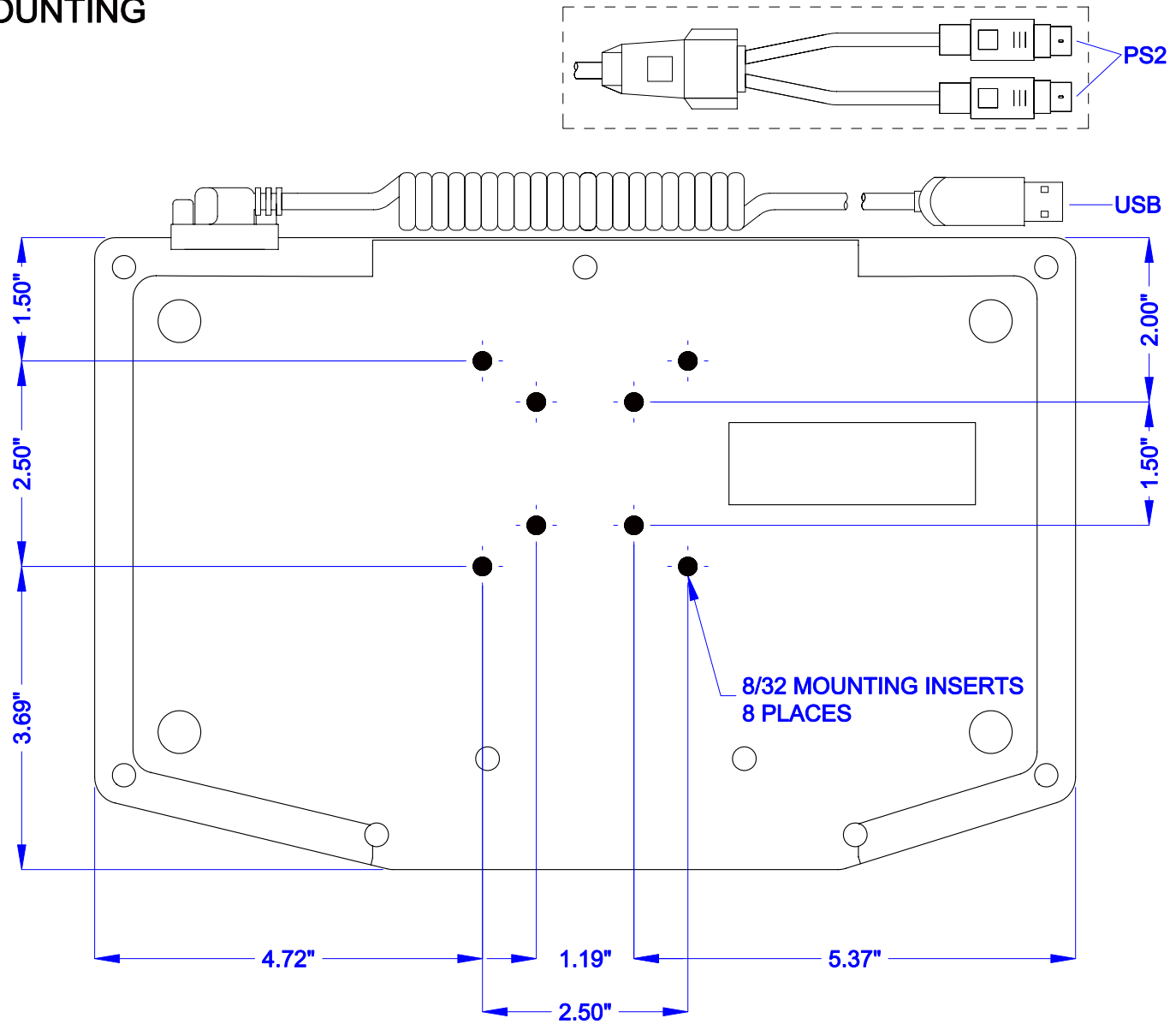
3 X 11 ms pulses of 50g on each of 3 axis

WEIGHT

2.25 lbs +/- 0.10 lbs (1.02 kg +/- 0.05 kg)

SCALE: 1:2

FT-86-911-TP MOUNTING



ENCLOSURE CASE: ABS/Polycarbonate

SCALE: 1:2