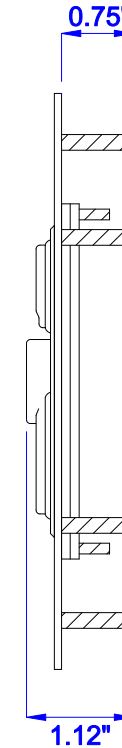
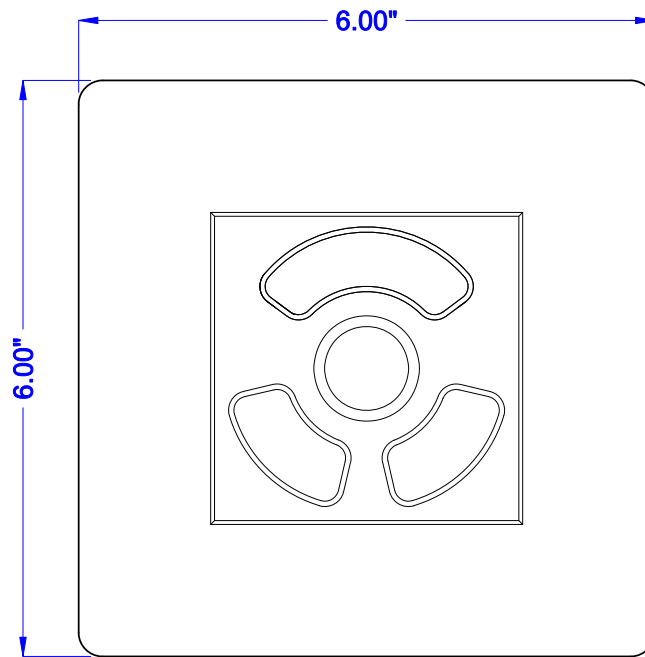


HP-PM

DATE	CHANGES	INTL	REV
12.16.03	Original		1.00
01.02.09	Updated Format	JB	1.00



KEY SWITCH

MATERIAL: Industrial Silicone Rubber
LIFE: Greater Than 10 Million Cycles
TRAVEL: 0.055 in.
ACTUATION FORCE: 7.05 oz. +/- 1.06oz (200g +/- 30g)
FEEDBACK: Tactile with Mechanical Snap

POWER

PS2 or AT/Serial:
POINTER: 35mA@5V (from Mouse port)
USB: 35mA@5V (from CPU port)

TEMPERATURE RANGE

STORAGE: -40°F to +158°F (-40°C to +70°C)
OPERATING: -4°F to +140°F (-20°C to +60°C)

HUMIDITY

100% Humidity Resistant

VIBRATION

POWER SPECTRAL DENSITY: .04g/HZ
FREQUENCY RANGE: 20Hz-2KHz
DURATION OF TEST PER AXIS: 3 hours

SHOCK

3 X 11 ms pulses of 50g on each of 3 axis

WEIGHT

1.25 lbs +/- 0.10 lbs (0.57 kg +/- 0.05 kg)

PROPRIETARY AND CONFIDENTIAL

SCALE: 1:2



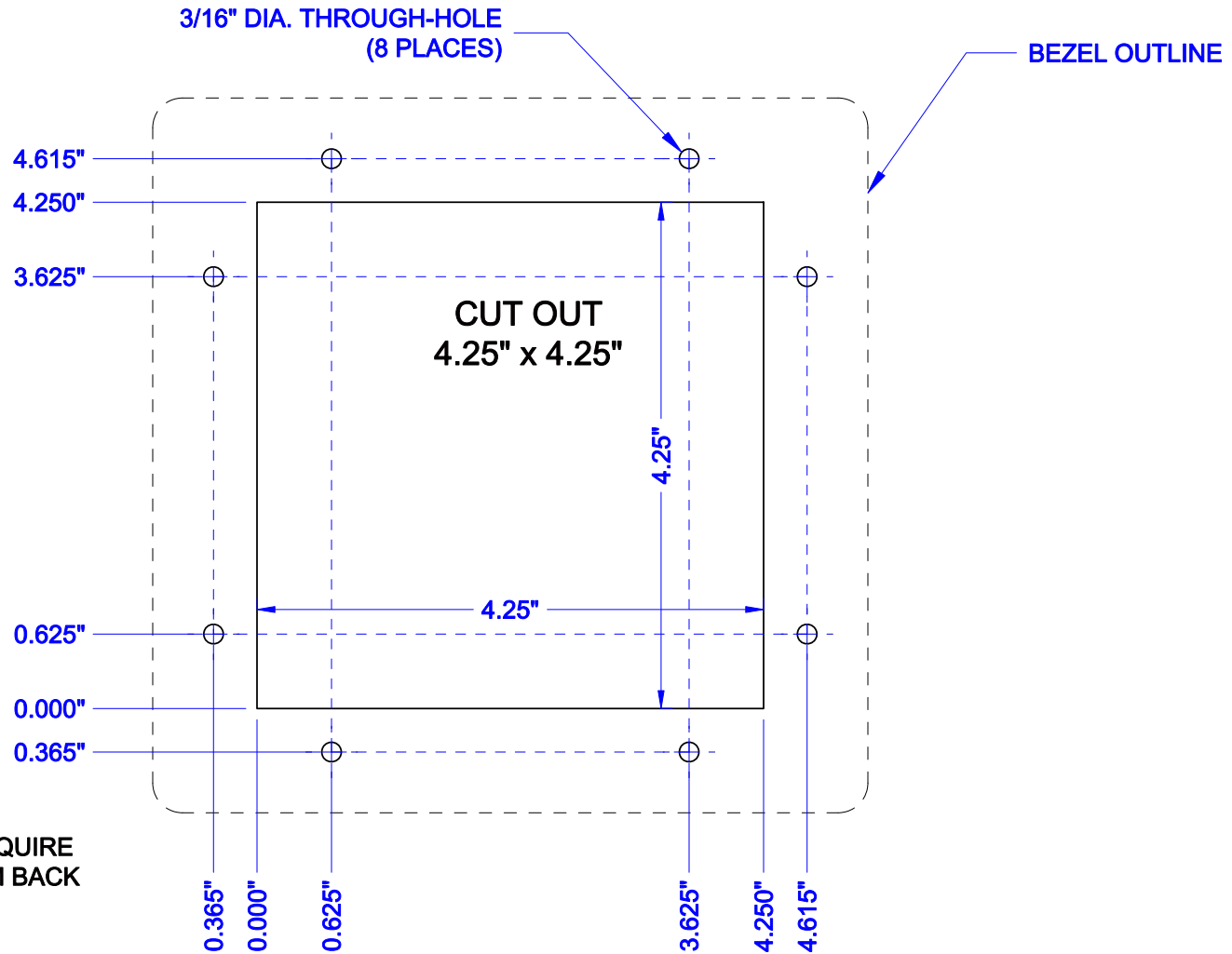
iKey, Ltd.
 2621 Ridgpoint Dr. Suite 235
 Austin, Texas 78754

©2008 iKey, Ltd.

Voice: (512) 837-0283
 Fax: (512) 927-8630

Part Number: HP-PM	Drawing Number: MKT0016	Sheet: 1 OF 2	
Drawing Title: HP-PM-MKT	Revision: 1.00	Date: 01.02.09	JWB

HP-PM MOUNTING



NOTE:
-PCB COMPONENTS REQUIRE
0.25" CLEARANCE FROM BACK

PM BEZEL: Stainless Steel with #8-32 x 0.75" Studs (8 Places)

PROPRIETARY AND CONFIDENTIAL

SCALE: 1:1.5



iKey, Ltd.
2621 Ridgpoint Dr. Suite 235
Austin, Texas 78754

©2008 iKey, Ltd.
Voice: (512) 837-0283
Fax: (512) 927-8630

Part Number: HP-PM
Drawing Title: HP-PM-MKT

Drawing Number: MKT0016
Revision: 1.00

Sheet: 2 OF 2
Date: 01.02.09
JWB