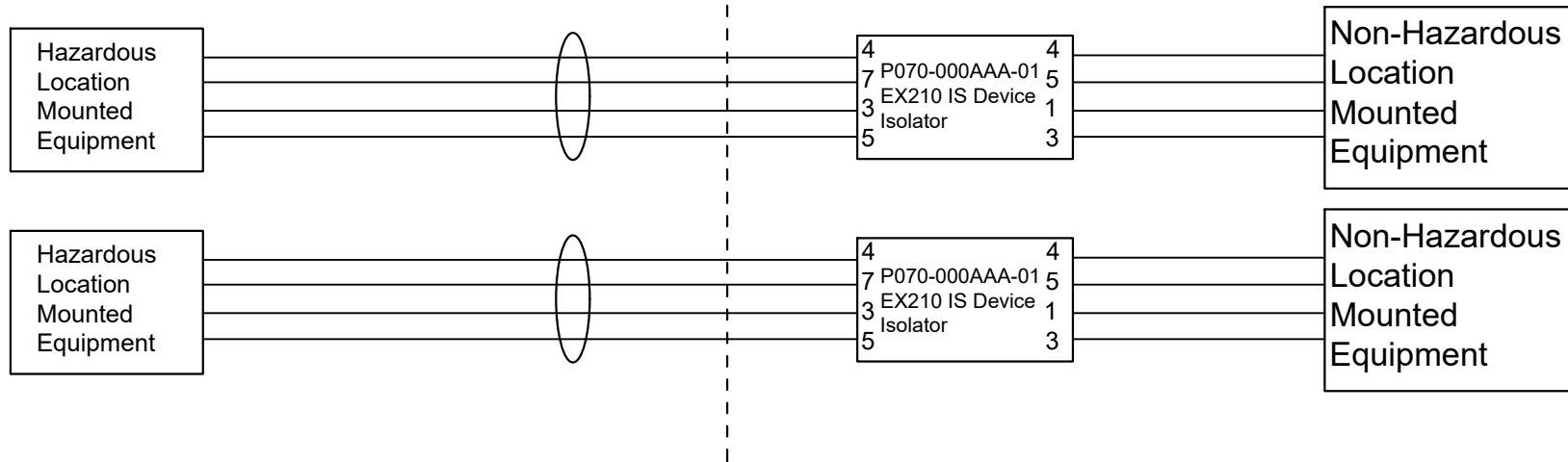


DATE	CHANGES	INTL	REV
04.20.17	Original	ALH	1.0
06.11.18	Corrected Isolator Barrier PN	ALH	1.1

Hazardous (Classified) Location
 Class I, Div 1 Groups C, D
 Class II, Div 1 Groups E, F, G
 Class III

Non Hazardous (Unclassified) Location



Application Notes

1. Supply, Clock, and Data leads to be wired through P070-000AAA-01 EX210 IS Device Isolator as shown above
2. Reference connection to ISA standard RP 12.06.01.
3. Installation shall be in accordance with the NEC, Article 504, ANSI/NFPA 70
4. Control equipment power must not exceed 250V
5. Pointing device supplied with 5Vdc @ 20mA

Cable Parameters

	Groups C, E	Groups D, F, G
Max Cable Capacitance	558.49 uF	988.49 uF
Max Cable Inductance	138 uH	388 uH

Specifications: Hazardous Location Devices

DT-5K-FSR-IS: Intrinsically safe
 Class I,II,III Div 1
 Groups C,D,E,F,G
 PM-5K-FSR-IS: Intrinsically safe
 Class I,II,III Div 1
 Groups C,D,E,F,G

Intrinsic Safety Barrier Specifications

P070-000AAA-01 EX210 IS Device Isolator:
 Maximum Output Voltage V = 6.51V
 Maximum Output Current I = 0.82A

No revision to drawing
 w/o prior FM approval