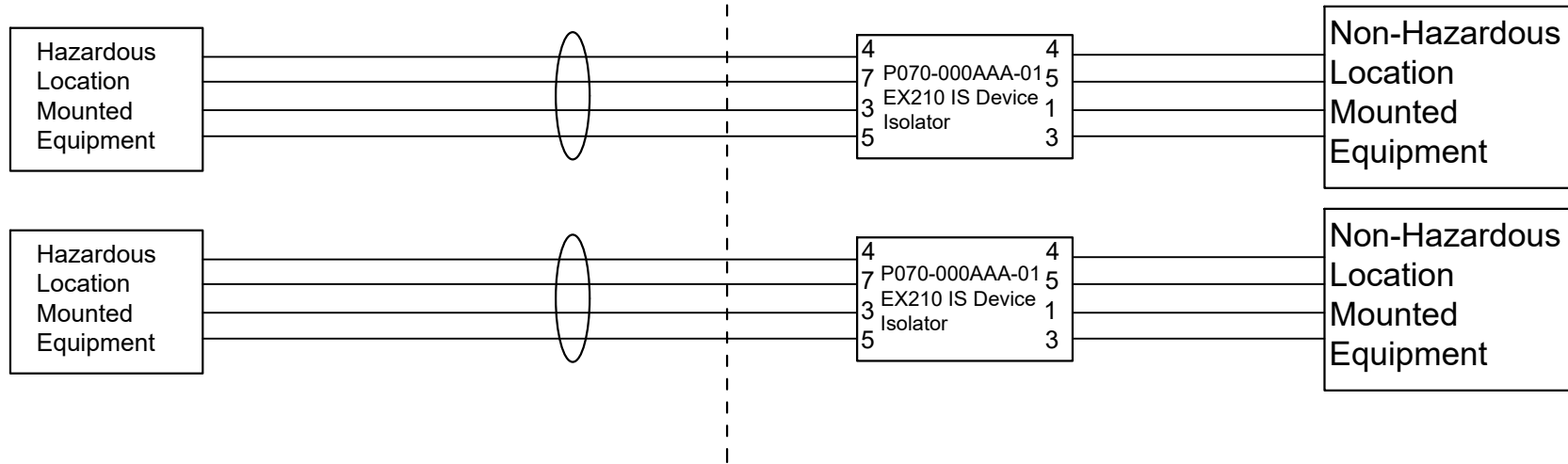


DATE	CHANGES	INTL	REV
04.25.17	Original	ALH	1.0
06.11.18	Corrected Isolator Barrier PN	ALH	1.1

Hazardous (Classified) Location  
 Class I, Div 1 Groups C, D  
 Class II, Div 1 Groups E, F, G  
 Class III

Non Hazardous (Unclassified) Location



**Application Notes**

1. Supply, Clock, and Data leads to be wired through P070-000AAA-01 EX210 IS Device Isolator as shown above
2. Reference connection to ISA standard RP 12.06.01.
3. Installation shall be in accordance with the NEC, Article 504, ANSI/NFPA 70
4. Control equipment power must not exceed 250V
5. Pointing device supplied with 5Vdc @ 20mA

**Specifications: Hazardous Location Devices**

DT-2000-FSR-IS: Intrinsically safe  
 Class I,II,III Div 1  
 Groups C,D,E,F,G  
 PM-2000-FSR-IS: Intrinsically safe  
 Class I,II,III Div 1  
 Groups C,D,E,F,G

**Cable Parameters**

	Groups C, E	Groups D, F, G
Max Cable Capacitance	521.80 uF	951.80 uF
Max Cable Inductance	150 uH	400 uH

**Intrinsic Safety Barrier Specifications**

P070-000AAA-01 EX210 IS Device Isolator:  
 Maximum Output Voltage V = 6.51V  
 Maximum Output Current I = 0.82A

No revision to drawing  
 w/o prior FM approval