

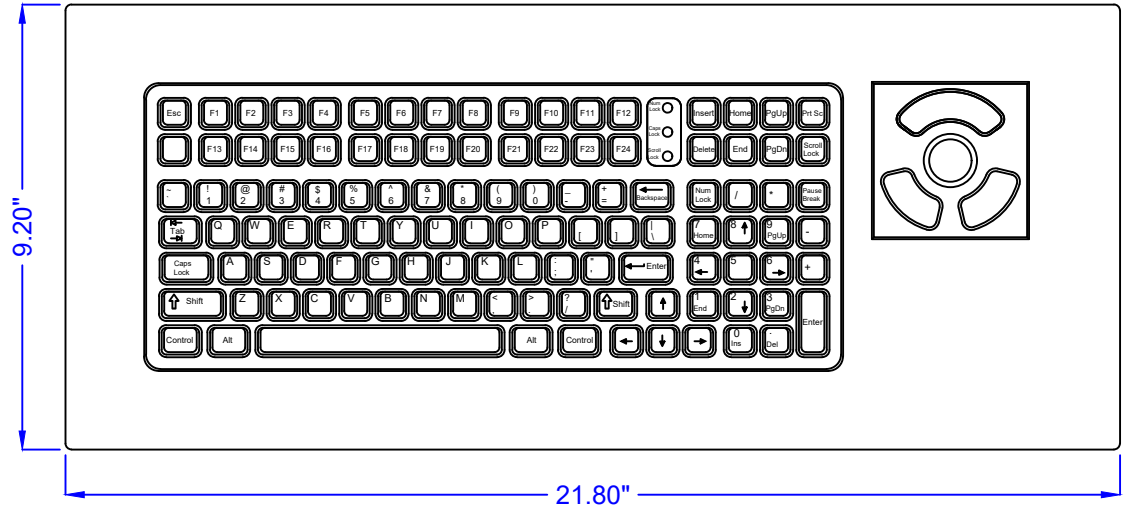
# PM-2000-FSR-IS

DATE	CHANGES	INTL	REV
06.14.18	Original	ALH	1.0

**DESCRIPTION:** The PM-2000-FSR-IS combines a Force Sensing Resistor pointing device with a 10-key numeric keypad in a ruggedized stainless steel Panel Mount enclosure carrying the FM Approvals Intrinsically Safe Certification.

**USE:** The PM-2000-FSR-IS is designed for use in Hazardous Locations as detailed below. The keyboard must be used in combination with the Daisy Data P070-000294-01 EX210 Isolation Barrier.

**MAINTENANCE:** There are no serviceable parts on this assembly.



## CERTIFICATION AND OPERATING SPECIFICATIONS:

**INTRINSIC SAFETY:**

Class I/II/III, Division 1, Groups C/D/E/F/G

**TEMPERATURE CLASS:**

T4 (-40°C ≤ T4 ≤ +75°C)

**ENCLOSURE TYPE:**

Type 4X

**STANDARDS FOR US APPROVAL:**

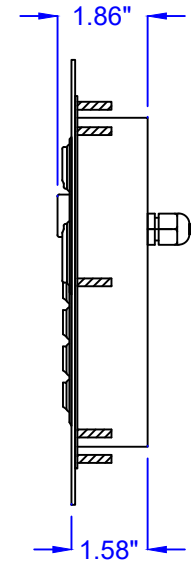
FM3600:2018, FM3610:2018, FM3611:2018, FM3810:2018, ANSI/UL 60079-0:2013 (Group IIB), ANSI/ISA 12.12.0:2015, ANSI/ISA 61010-1:2012, NEMA250:2014

**POWER:**

Reference Drawing Number HL0070 for Power Requirements

**WEIGHT:**

5.50 lbs +/- 0.10 lbs (2.49 kg +/- 0.05 kg)



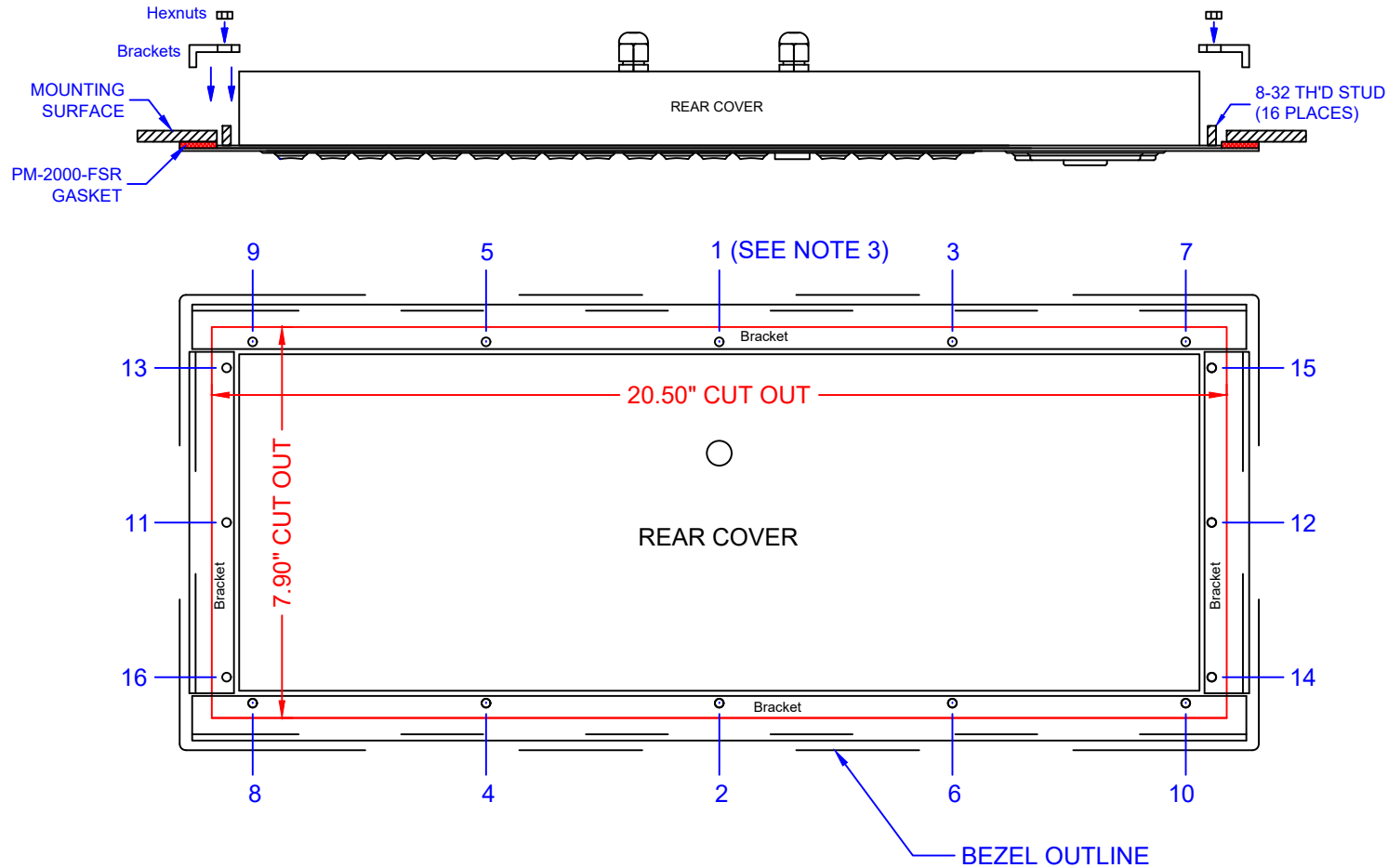
No revision to drawing w/o prior FM approval

PROPRIETARY AND CONFIDENTIAL

INSTALLATION: The PM-2000-FSR-IS and P070-000294-01 Barrier should only be installed in Hazardous Locations as detailed in the Certification and Operating Specifications section. Installation shall be in accordance with NEC, Article 504, ANSI, NFPA 70, reference Drawing Number HL0070. Ensure all directions detailed below are followed:

1. Place the PM-2000-FSR-IS in the 20.50" x 7.90" cutout, see diagram below.
2. Place the supplied brackets (4x) on each side and hand tighten locking hexnuts over all (14x) 8-32 x 0.75" studs.
3. Tighten with a torque wrench to 15in/lb in order shown on diagram.

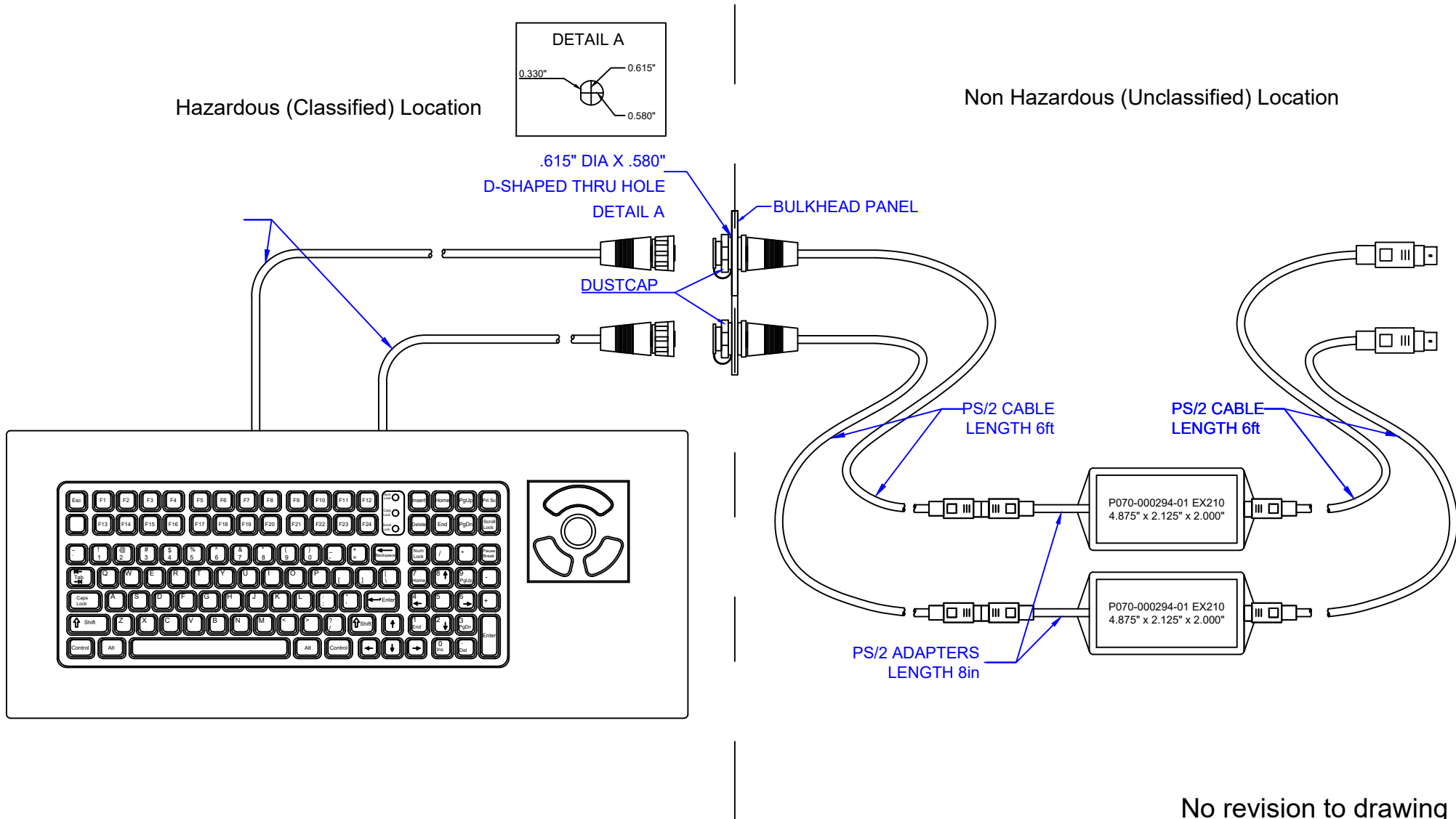
NOTE: Installed gasket should be compressed against mounting surface to ensure NEMA 4X rating.



No revision to drawing  
w/o prior FM approval

PROPRIETARY AND CONFIDENTIAL

ASSEMBLING AND DISMANTLING: The PM-2000-FSR-IS keyboard must be assembled with the Daisy Data P070-000294-01 EX210 Isolation Barrier as shown in the connection diagram below and in accordance with Drawing Number HL0070. There are no serviceable parts in this assembly.



No revision to drawing w/o prior FM approval

PROPRIETARY AND CONFIDENTIAL