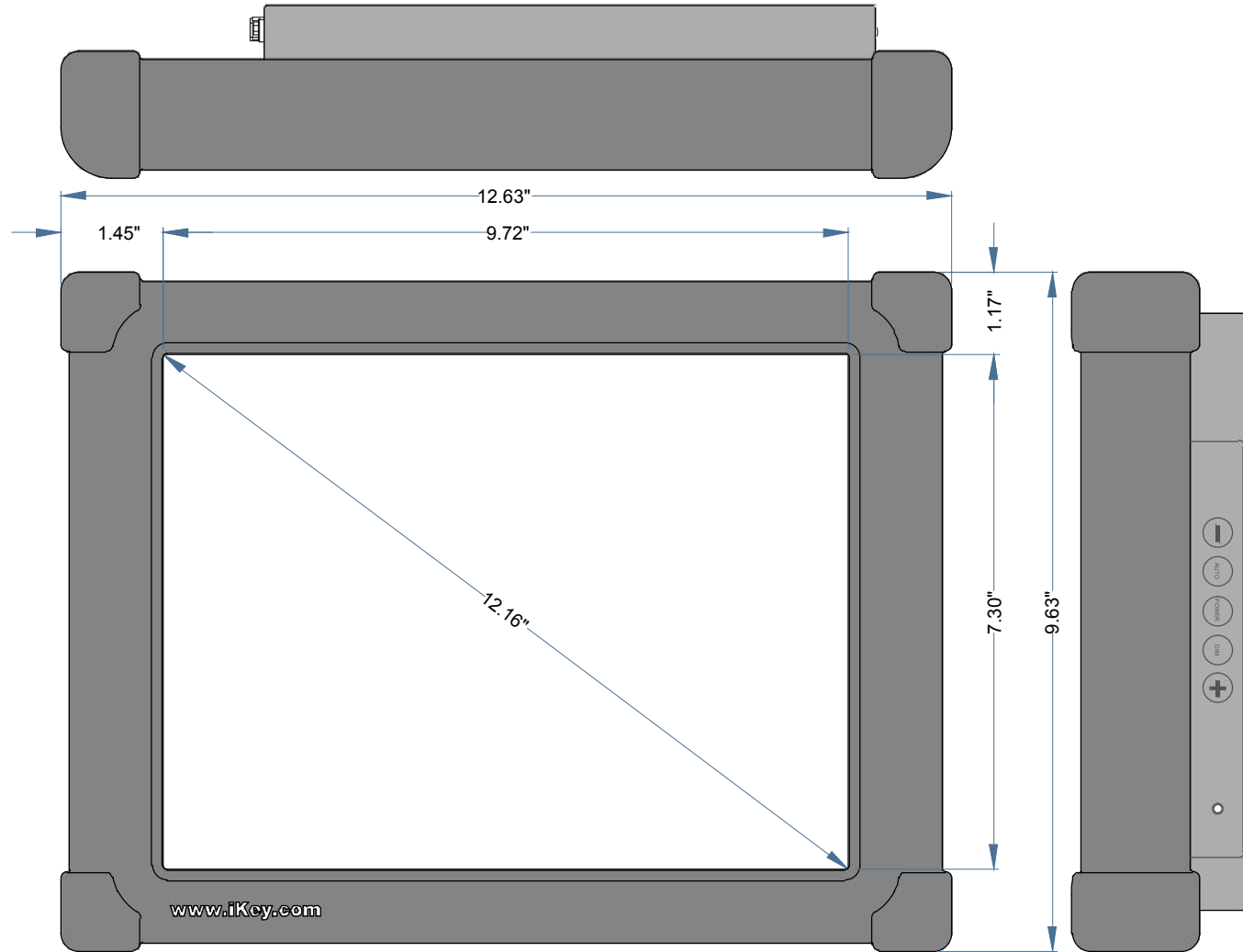
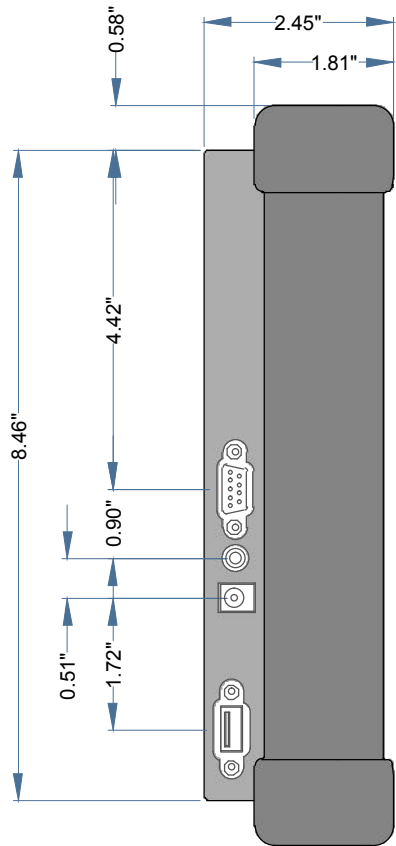


IK-FPMT-12-1000

DATE	CHANGES	INTL	REV
01.05.12	Original	TH	1.0



INPUT

MONITOR: 15 pin VGA
TOUCH: USB

POWER

12V DC

TEMPERATURE RANGE

STORAGE: -22°F to +158°F (-30°C to +70°C)
OPERATING: 14°F to +140°F (-10°C to +65°C)

HUMIDITY

10%-90% (NO CONDENSATION)

WEIGHT

5.8 lbs +/- 0.10 lbs (2.63 kg +/- 0.05 kg)

PROPRIETARY AND CONFIDENTIAL

SCALE: 2:5



iKey, Ltd.
2621 Ridg epoint Dr. Suite 235
Austin, Texas 78754

©2011 iKey, Ltd.

Voice: (512) 837-0283
Fax: (512) 927-8530

Part Number: IK-FPMT-12-1000

Drawing Title: IK-FPMT-12-1000-MKT

Drawing Number: MKT0309

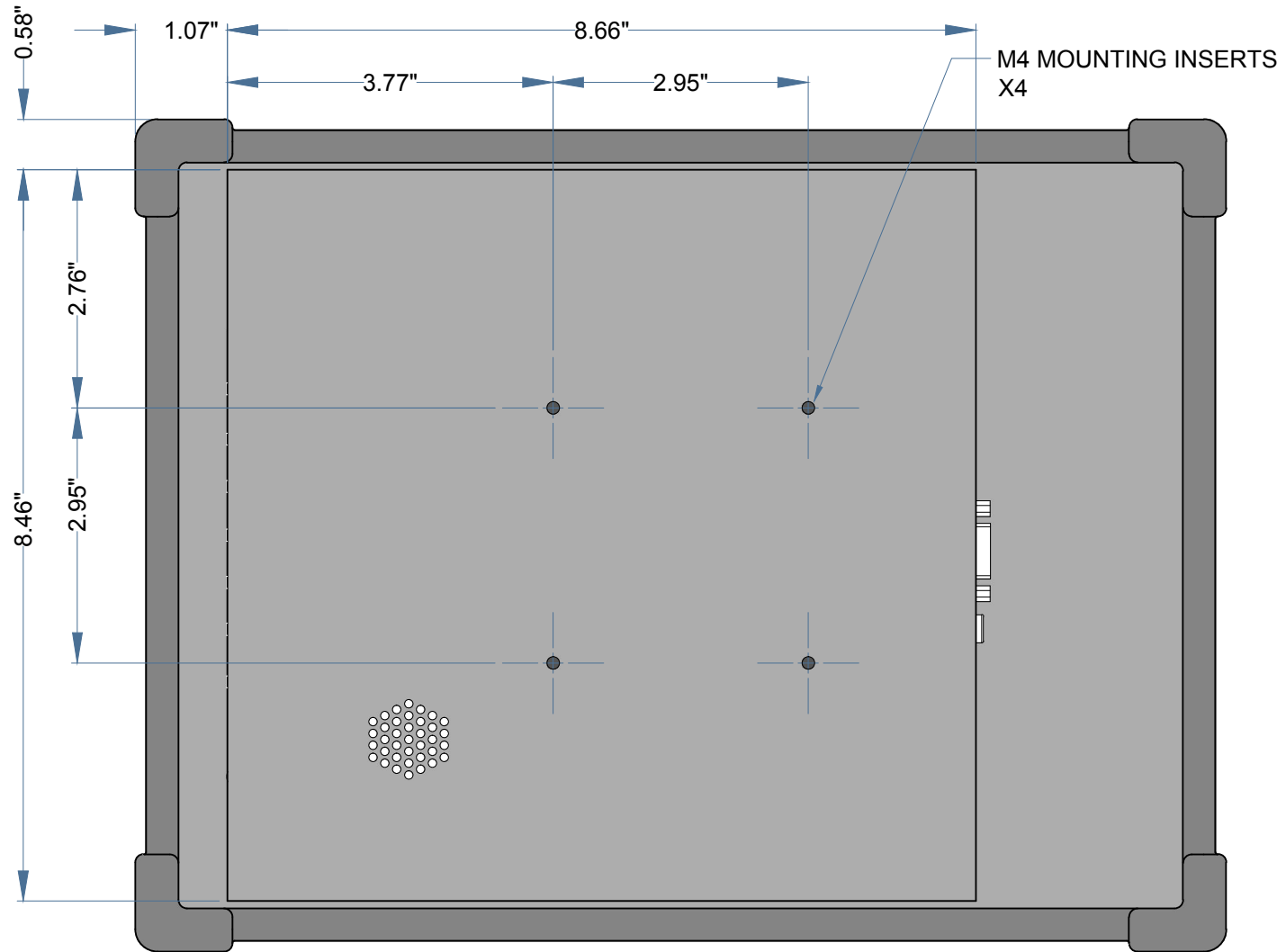
Revision: 1.0

Sheet: 1 OF 2

Date: 1.5.2012

TWH

IK-FPMT-12-1000 MOUNTING



PROPRIETARY AND CONFIDENTIAL

SCALE: 1:2



iKey, Ltd.
2621 Ridgepoint Dr. Suite 235
Austin, Texas 78754

©2011 iKey, Ltd.
Voice: (512) 837-0283
Fax: (512) 927-8530

Part Number: IK-FPMT-12-1000
Drawing Title: IK-FPMT-12-1000-MKT

Drawing Number: MKT0309
Revision: 1.0

Sheet: 2 OF 2
Date: 1.5.2012

TWH