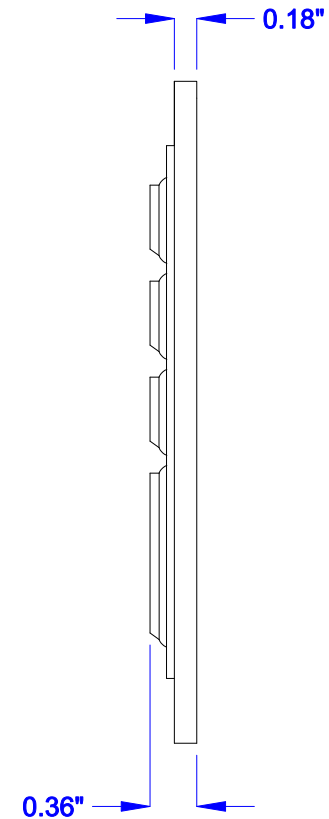
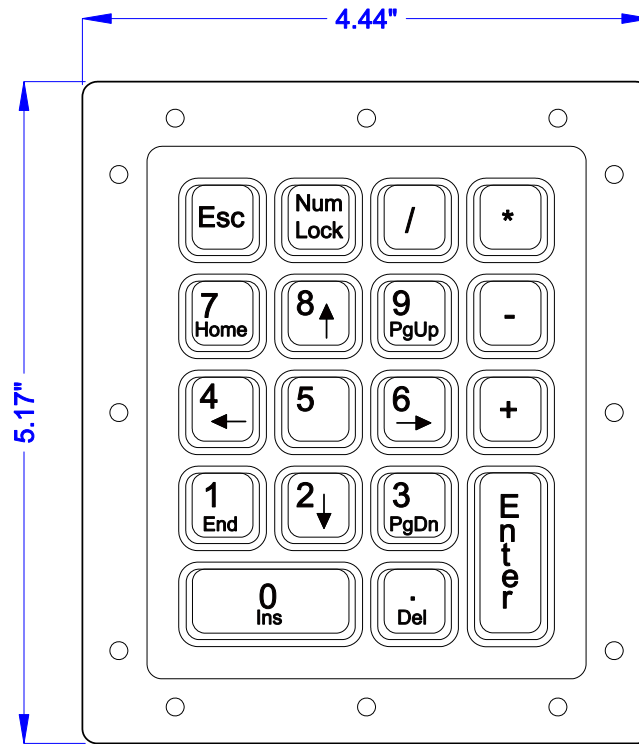


# KYB-18-OEM

DATE	CHANGES	INTL	REV
07.15.08	Original	JB	1.00



## KEY SWITCH

**MATERIAL:** Industrial Silicone Rubber  
**LIFE:** Greater Than 10 Million Cycles  
**TRAVEL:** 0.055 in.  
**ACTUATION FORCE:** 4.74 oz. +/- 1.06oz (135g +/- 30g)  
**FEEDBACK:** Tactile with Mechanical Snap

## TEMPERATURE RANGE

**STORAGE:** -40°F to +194°F (-40°C to +90°C)  
**OPERATING:** -40°F to +158°F (-40°C to +70°C)

## VIBRATION

**POWER SPECTRAL DENSITY:** .04g/HZ  
**FREQUENCY RANGE:** 20Hz-2Khz  
**DURATION OF TEST PER AXIS:** 3 hours

## POWER

**PS2: KEYBOARD:** 50mA@5V (from Keyboard port)  
**USB:** 50mA@5V (from CPU port)

## HUMIDITY

100% Humidity Resistant

## SHOCK

3 X 11 ms pulses of 50g on each of 3 axis

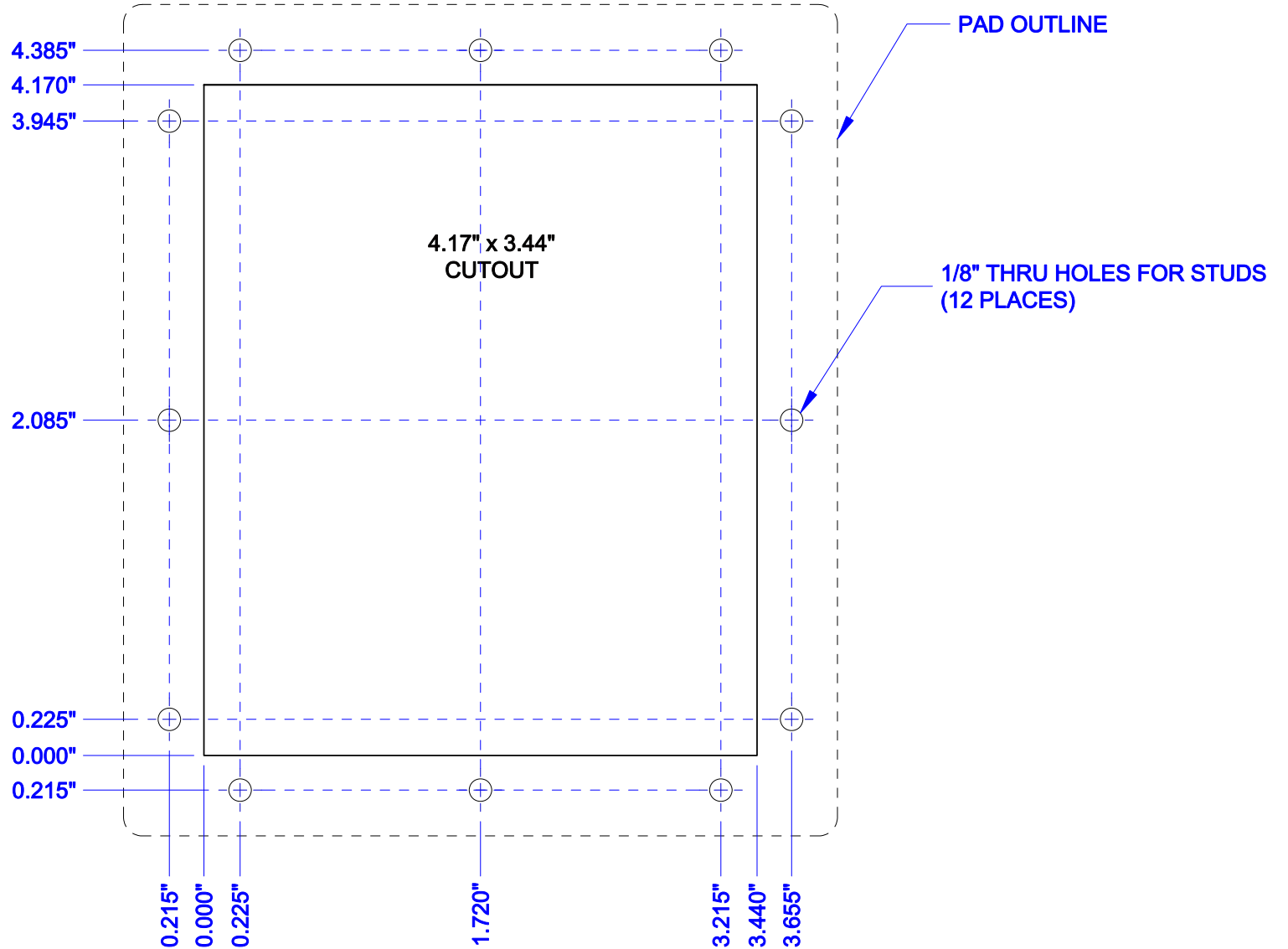
## WEIGHT

0.50 lbs +/- 0.10 lbs (0.23 kg +/- 0.05 kg)

PROPRIETARY / CONFIDENTIAL

SCALE: 1:1.5

# KYB-18-OEM MOUNTING



PROPRIETARY / CONFIDENTIAL

SCALE: 1:1

**iKey** iKey, Ltd.  
2621 Ridgpoint Dr. Suite 235  
Austin, Texas 78754

©2008 iKey, Ltd.  
Voice: (512) 897-0283  
Fax: (512) 927-8830

Part Number: KYB-18-OEM  
Drawing Title: KYB-18-OEM

Drawing Number: MKT0124  
Revision: 1.00

Sheet: 2 OF 2  
Date: 07.15.08  
JWB