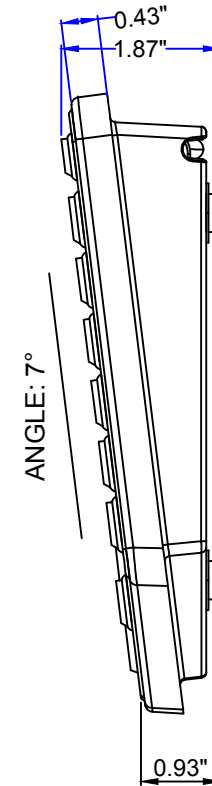
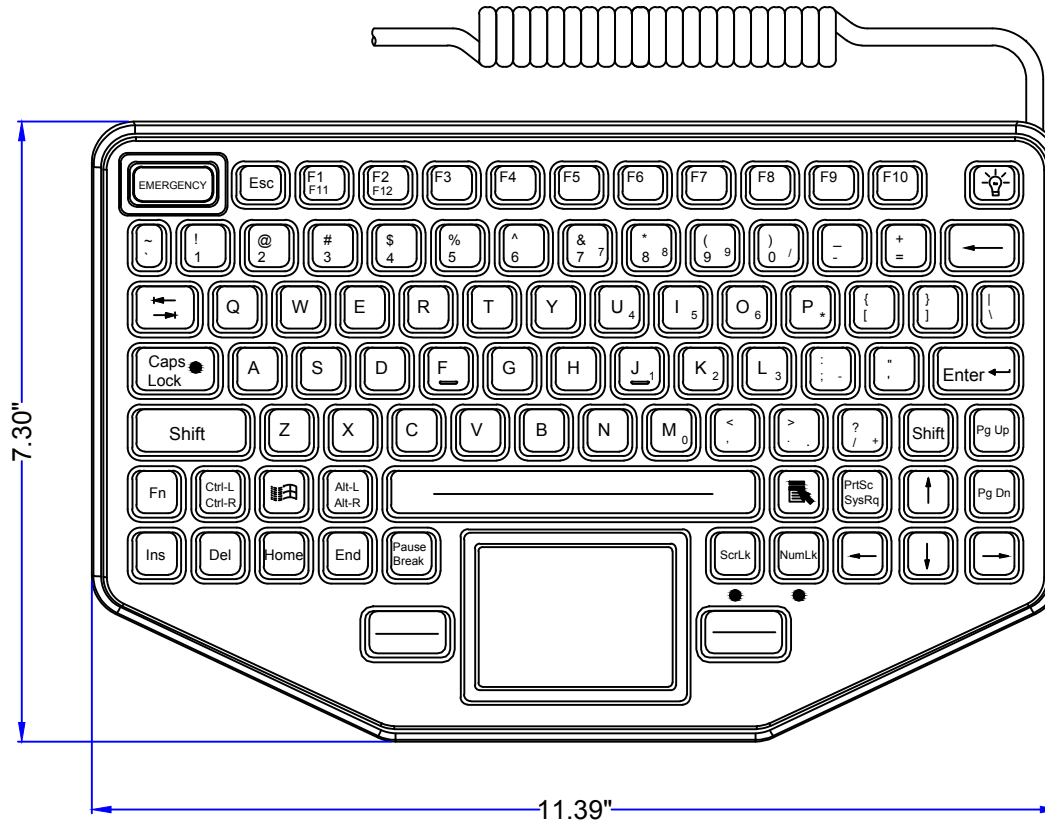


SL-86-911-TP

DATE	CHANGES	INTL	REV
02.21.07	Original		1.0
06.12.09	Updated Format and Drawing Number	JB	2.0
01.05.11	Updated Temp Spec	JMW	2.1
01.24.11	Changed lineweights	TWH	2.2



KEY SWITCH

MATERIAL: Industrial Silicone Rubber
 LIFE: Greater Than 10 Million Cycles
 TRAVEL: 0.055 in.
 ACTUATION FORCE: 7.05 oz. +/- 1.06oz (200g +/- 30g)
 FEEDBACK: Tactile with Mechanical Snap

POWER

PS2:
 KEYBOARD: 200mA@5V (from Keyboard port)
 TOUCH PAD: 10mA@5V (from Mouse port)
 USB: 210mA@5V (from CPU port)

TEMPERATURE RANGE

STORAGE: -40°F to +194°F (-40°C to +90°C)
 OPERATING: -40°F to +158°F (-40°C to +70°C)

HUMIDITY

100% Humidity Resistant

VIBRATION

POWER SPECTRAL DENSITY: .04g²/HZ
 FREQUENCY RANGE: 20Hz-2Khz
 DURATION OF TEST PER AXIS: 3 hours

SHOCK

3 X 11 ms pulses of 50g on each of 3 axes

WEIGHT

2.25 lbs +/- 0.10 lbs (1.02 kg +/- 0.05 kg)

PROPRIETARY AND CONFIDENTIAL

SCALE: 1:2.25



iKey, Ltd.
 2621 Ridgpoint Dr. Suite 235
 Austin, Texas 78754

©2011 iKey, Ltd.
 Voice: (512) 837-0283
 Fax: (512) 927-8530

Part Number: SL-86-911-TP

Drawing Title: SL-86-911-TP-MKT

Drawing Number: MKT0200

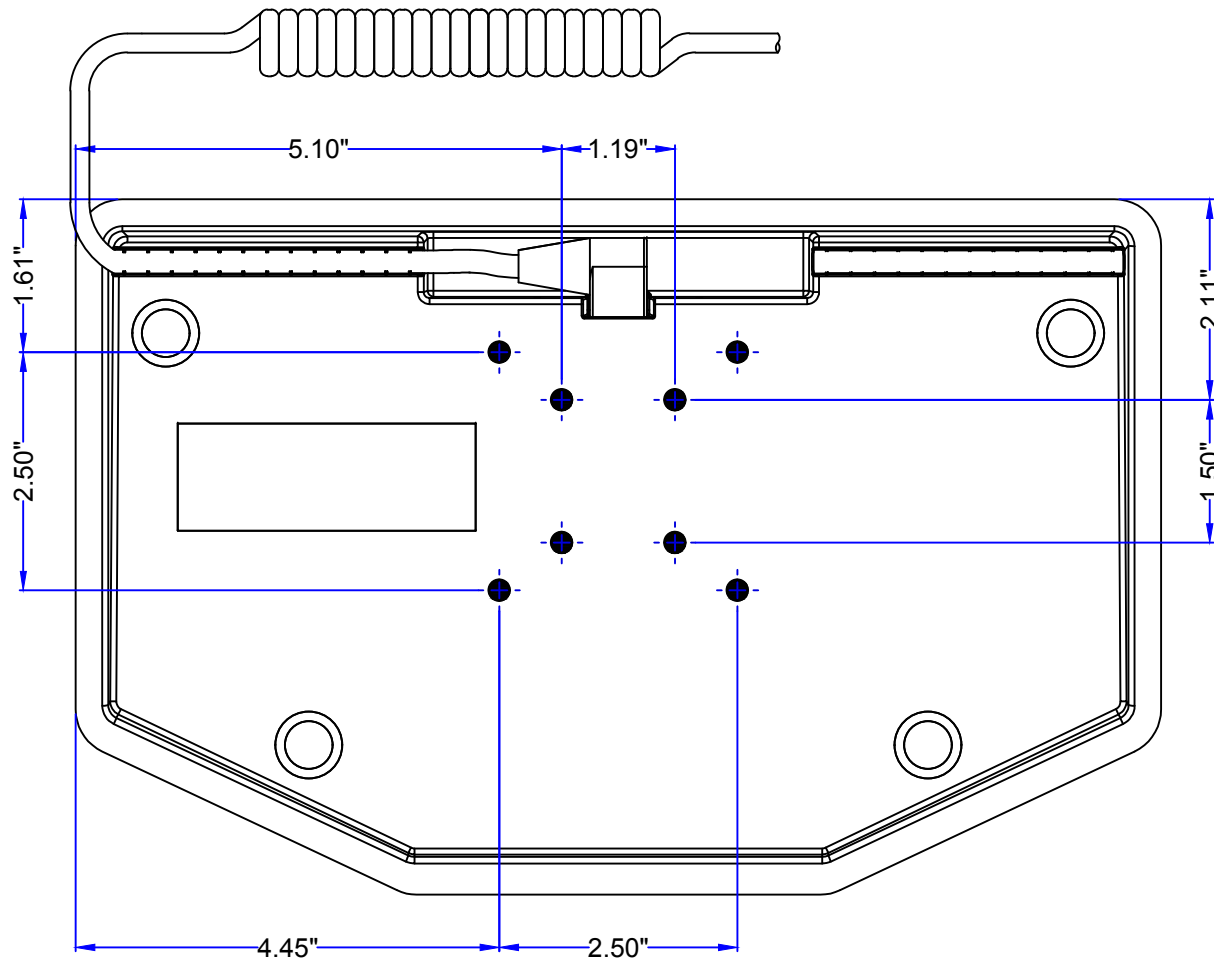
Revision: 2.2

Sheet: 1 OF 2

Date: 01.24.11

TWH

SL-86-911-TP BACK / MOUNTING



ENCLOSURE CASE: ABS/Polycarbonate

PROPRIETARY AND CONFIDENTIAL

SCALE: 1:2



iKey, Ltd.
2621 Ridgpoint Dr. Suite 235
Austin, Texas 78754

©2011 iKey, Ltd.
Voice: (512) 837-0283
Fax: (512) 927-8530

Part Number: SL-86-911-TP

Drawing Title: SL-86-911-TP-MKT

Drawing Number: MKT0200

Revision: 2.2

Sheet: 2 OF 2

Date: 01.24.11

TWH