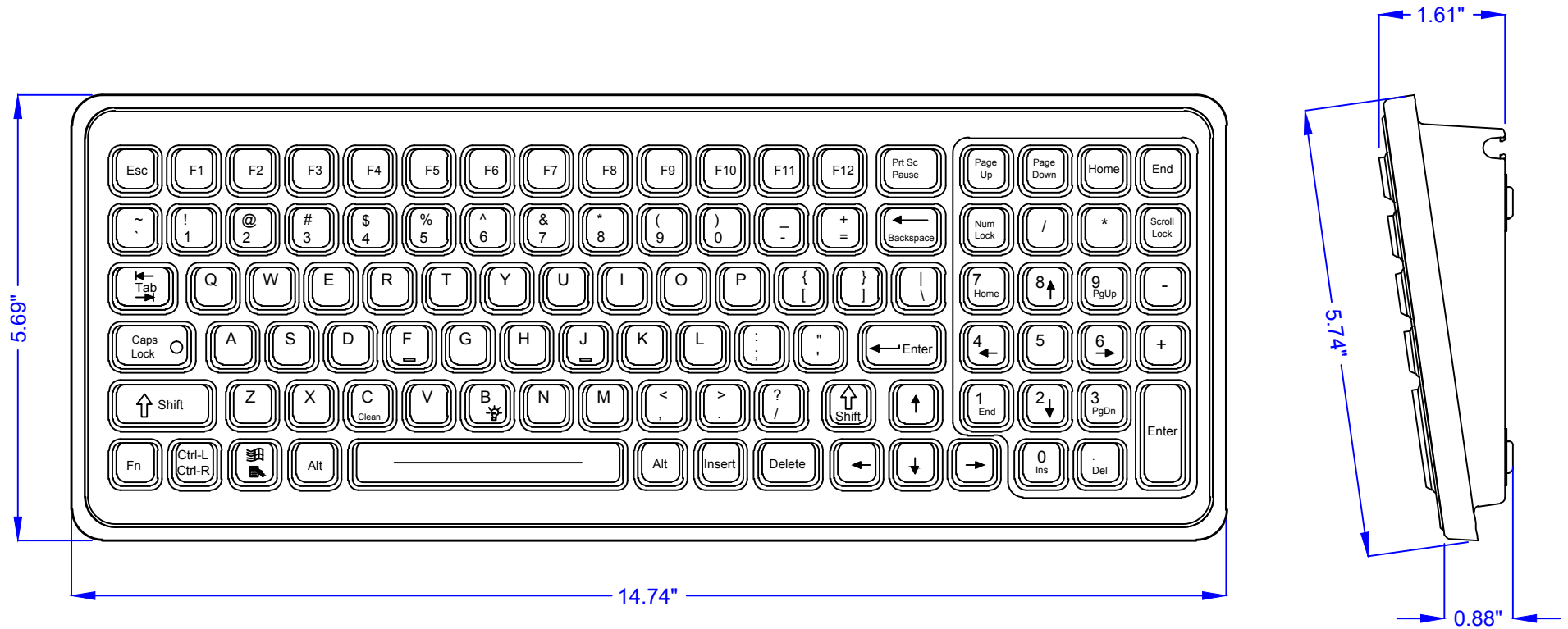


SLK-101C-M

DATE	CHANGES	INTL	REV
09.08.11	Original	TH	1.0
11.8.11	Updated dimensions	TH	1.1



KEY SWITCH

MATERIAL: Industrial Silicone Rubber
 LIFE: Greater Than 10 Million Cycles
 TRAVEL: 0.055 in.
 ACTUATION FORCE: 7.05 oz. +/- 1.06oz (200g +/- 30g)
 FEEDBACK: Tactile with Mechanical Snap

TEMPERATURE RANGE

STORAGE: -40°F to +194°F (-40°C to +90°C)
 OPERATING: -40°F to +158°F (-40°C to +70°C)

VIBRATION

POWER SPECTRAL DENSITY: .04g/HZ
 FREQUENCY RANGE: 20Hz-2Khz
 DURATION OF TEST PER AXIS: 3 hours

POWER

USB: 210mA@5V (from CPU port)

HUMIDITY

100% Humidity Resistant

SHOCK

3 X 11 ms pulses of 50g on each of 3 axis

WEIGHT

2.00 lbs +/- 0.10 lbs (0.91 kg +/- 0.05 kg)

PROPRIETARY AND CONFIDENTIAL

SCALE: 1:2



iKey, Ltd.
 2621 Ridgpoint Dr. Suite 235
 Austin, Texas 78754

©2008 iKey, Ltd.
 Voice: (512) 837-0283
 Fax: (512) 927-8530

Part Number: SLK-101C-M

Drawing Title: SLK-101C-M-MKT

Drawing Number: MKT0275

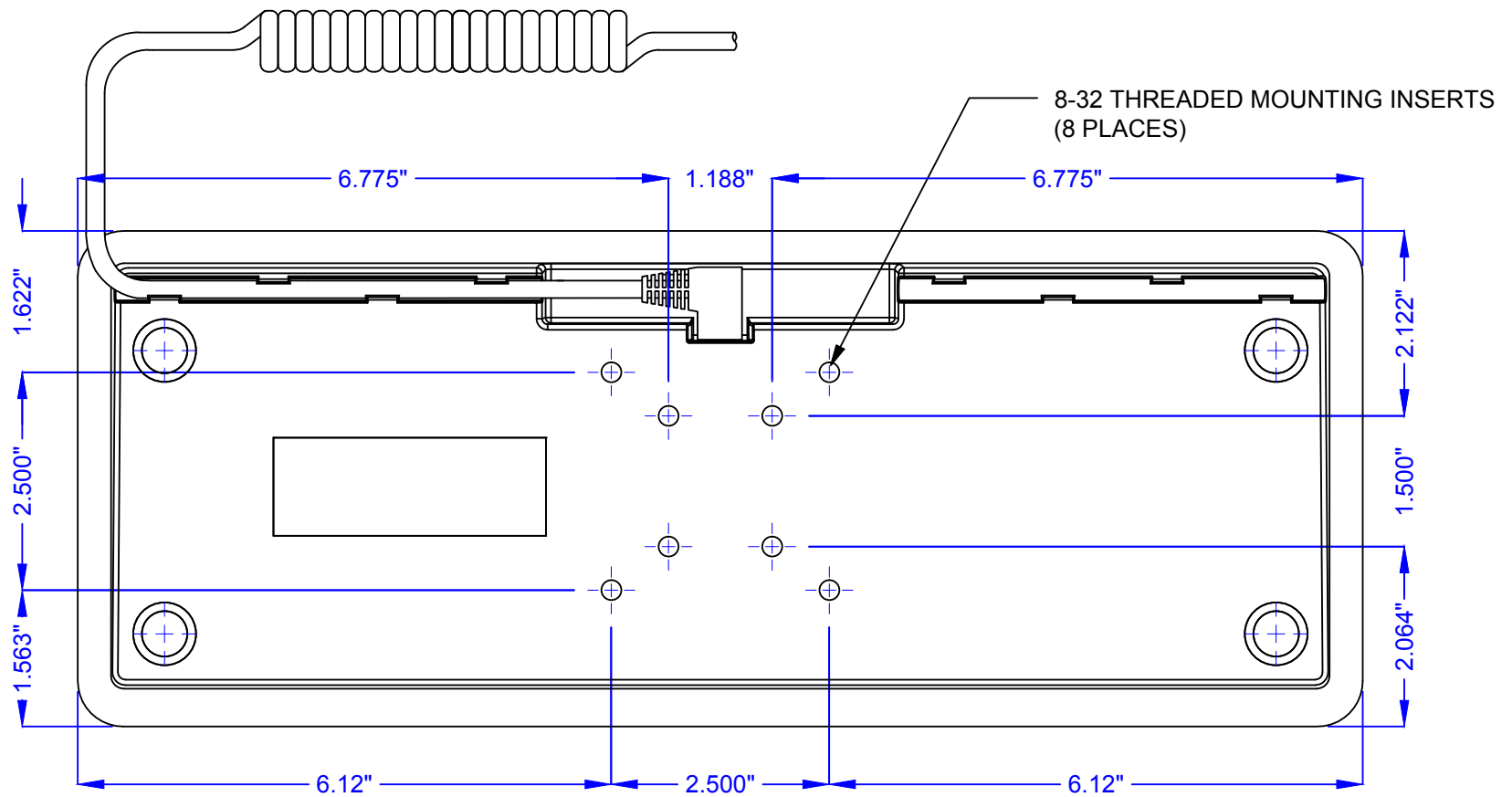
Revision: 1.1

Sheet: 1 OF 2

Date: 11.8.11

TWH

SLK-101C-M BACK/MOUNTING



ENCLOSURE CASE: ABS/Polycarbonate

PROPRIETARY AND CONFIDENTIAL

SCALE: 1:2



iKey, Ltd.
2621 Ridgpoint Dr. Suite 235
Austin, Texas 78754

©2008 iKey, Ltd.
Voice: (512) 837-0283
Fax: (512) 927-8530

Part Number: SLK-101C-M

Drawing Title: SLK-101C-M-MKT

Drawing Number: MKT0275

Revision: 1.1

Sheet: 2 OF 2

Date: 11.8.11

TWH