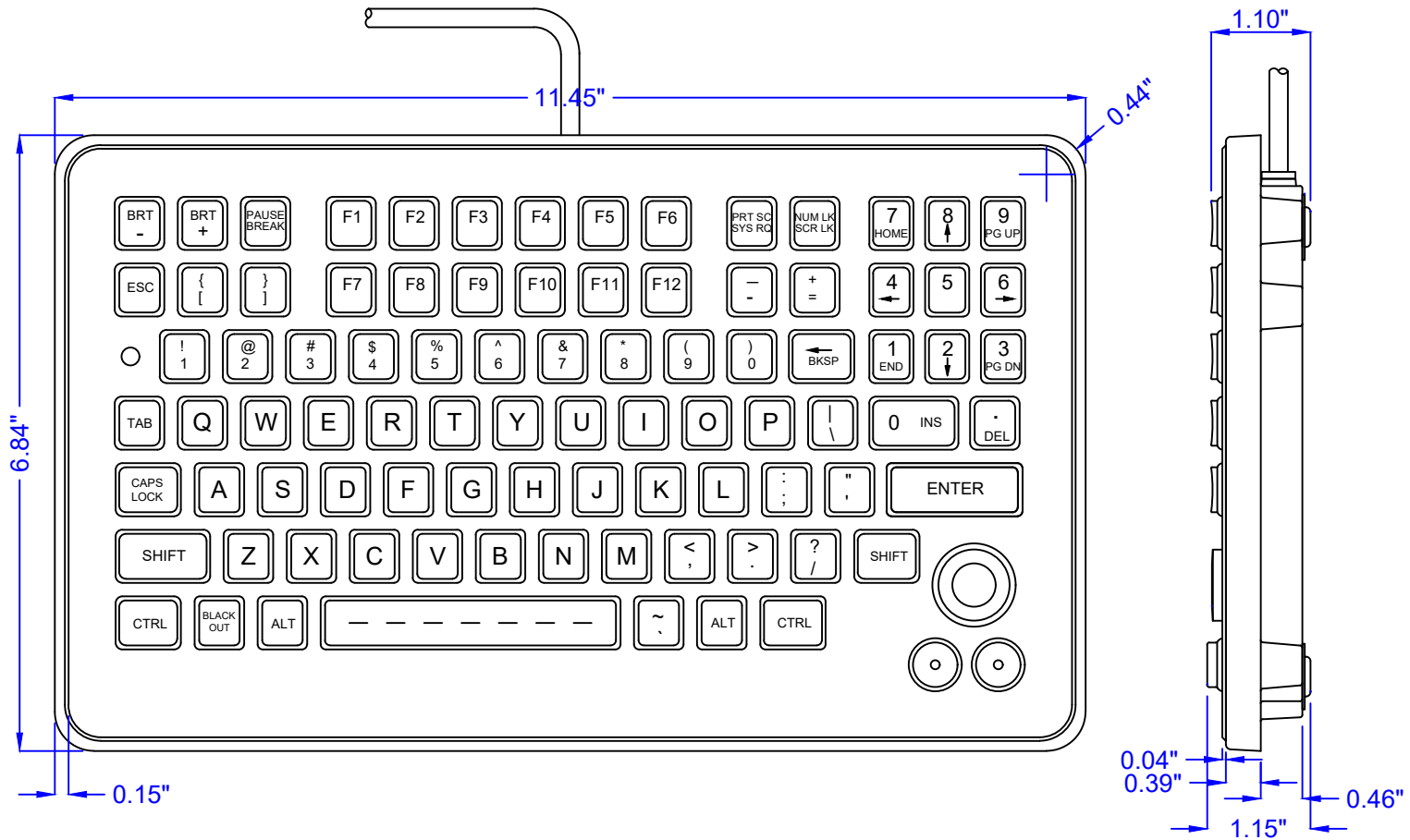


SLK-880-FSR

DATE	CHANGES	INTL	REV
11.06.08	Original	JB	1.00
03.04.09	Added Two Additional Feet	JB	1.10
04.12.16	Added Additional Dimensions to Mounting	AH	1.11
04.22.16	Added Additional Dimensions to Front Case	AH	1.12
08.15.18	Corrected Insert Spacing Dimension	AH	1.13



KEY SWITCH

MATERIAL: Industrial Silicone Rubber
 LIFE: Greater Than 10 Million Cycles
 TRAVEL: 0.055 in.
 ACTUATION FORCE: 6.35 oz. +/- 0.71oz (180g +/- 20g)
 FEEDBACK: Tactile with Mechanical Snap

TEMPERATURE RANGE

STORAGE: -40°F to +167°F (-40°C to +75°C)
 OPERATING: -40°F to +158°F (-40°C to +70°C)

VIBRATION

POWER SPECTRAL DENSITY: .04g/Hz
 FREQUENCY RANGE: 20Hz-2KHz
 DURATION OF TEST PER AXIS: 3 hours

POWER

USB:
 300mA@5V (from CPU port)

HUMIDITY

100% Humidity Resistant

SHOCK

3 X 11 ms pulses of 50g on each of 3 axis

WEIGHT

1.75 lbs +/- 0.10 lbs (0.79 kg +/- 0.05 kg)

PROPRIETARY AND CONFIDENTIAL

SCALE: 1:2



iKey, Ltd.
 2621 Ridgpoint Dr. Suite 235
 Austin, Texas 78754

©2018 iKey, Ltd.
 Voice: (512) 837-0283
 Fax: (512) 927-8530

Part Number: SLK-880-FSR

Drawing Title: SLK-880-FSR-MKT

Drawing Number: MKT0149

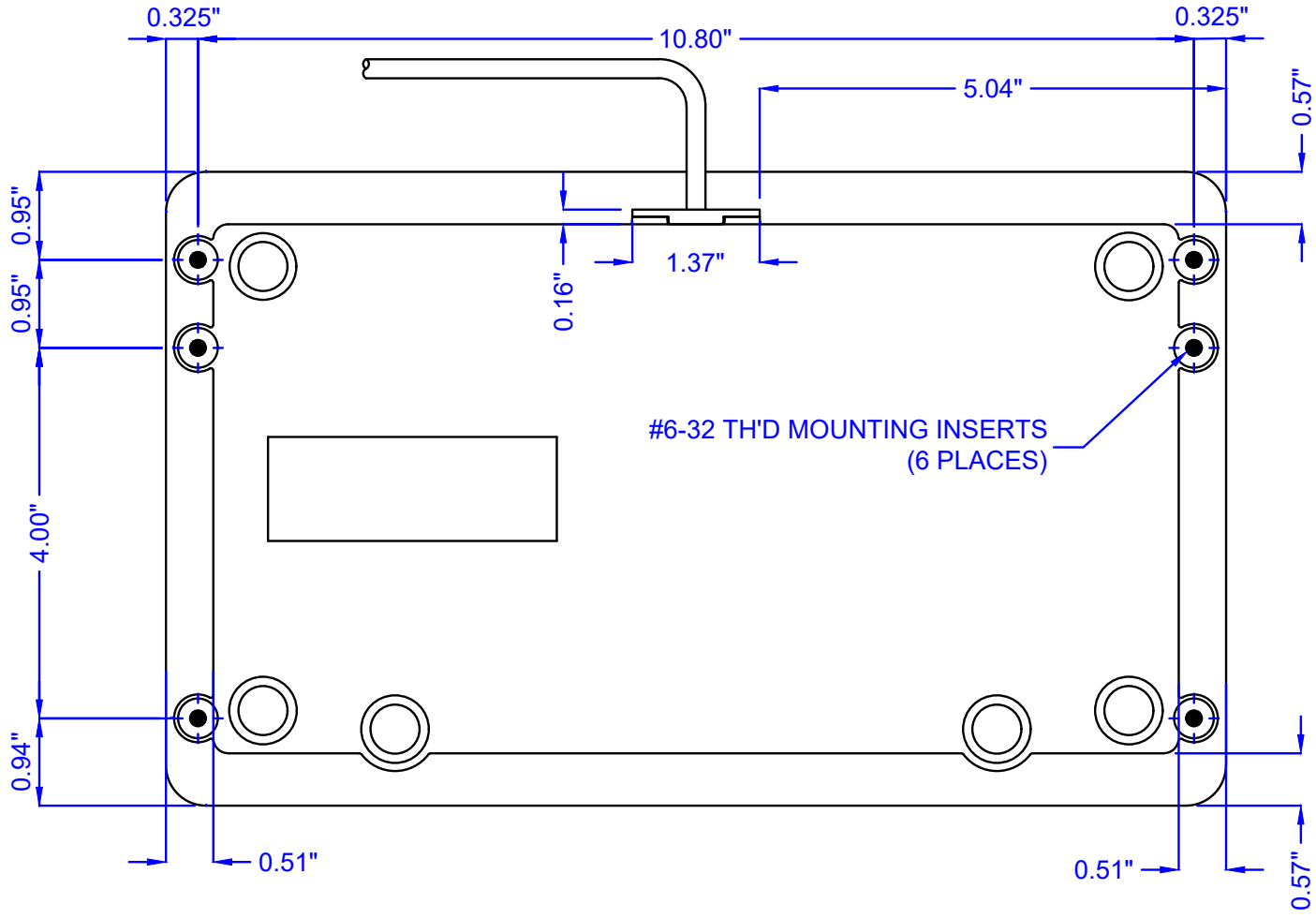
Revision: 1.13

Sheet: 1 OF 2

Date: 08.15.18

ALH

SLK-880-FSR BACK/MOUNTING



ENCLOSURE CASE: ABS/Polycarbonate

PROPRIETARY AND CONFIDENTIAL

SCALE: 1:2

iKey iKey, Ltd.
 2621 Ridgpoint Dr. Suite 235
 Austin, Texas 78754
 Voice: (512) 837-0283
 Fax: (512) 927-8530

Part Number: SLK-880-FSR
 Drawing Title: SLK-880-FSR-MKT

Drawing Number: MKT0149
 Revision: 1.13

Sheet: 2 OF 2
 Date: 08.15.18
 ALH