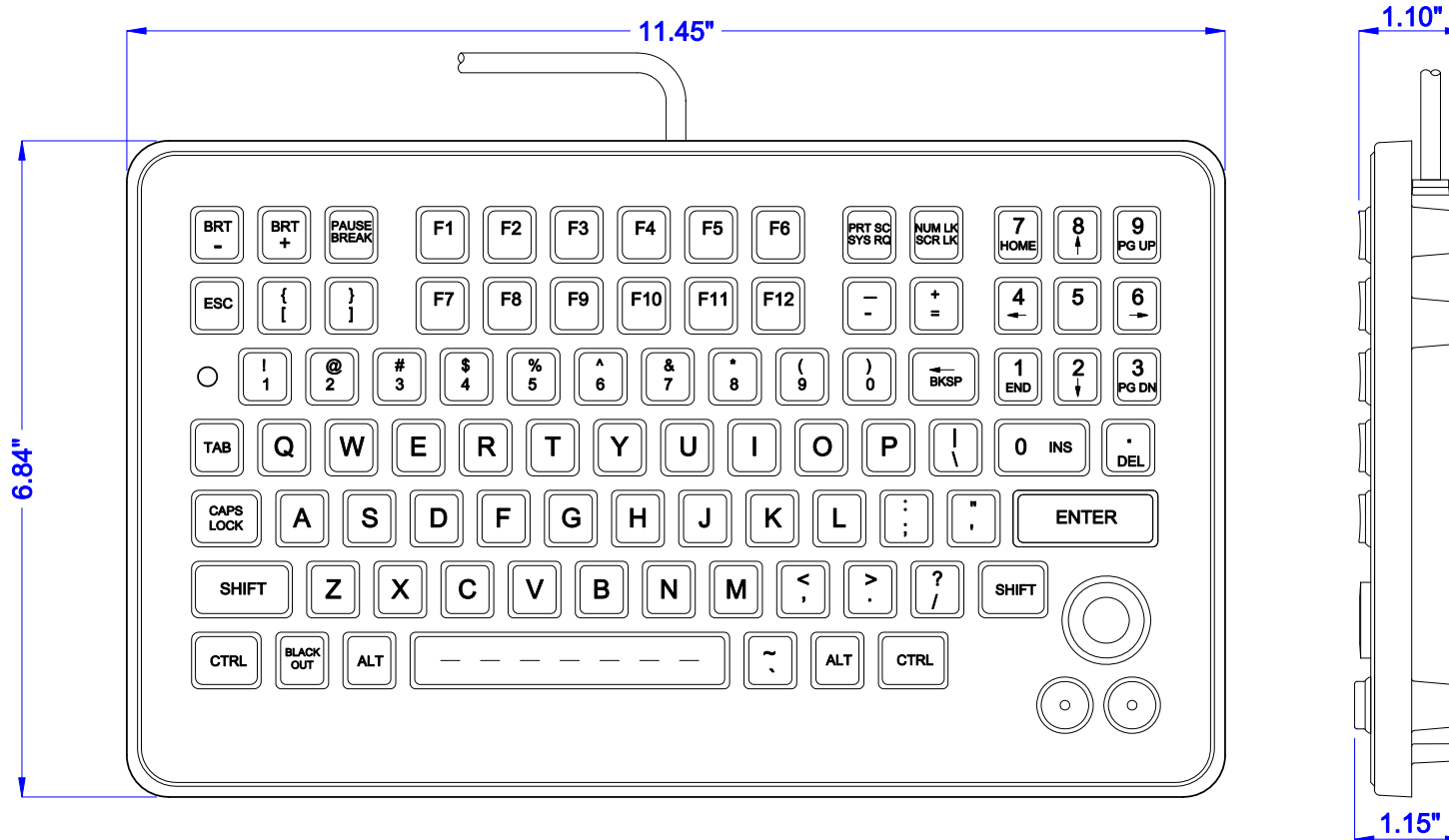


SLK-880-FSR

DATE	CHANGES	INTL	REV
11.06.08	Original	JB	1.00
03.04.09	Added Two Additional Feet	JB	1.10



KEY SWITCH

MATERIAL: Industrial Silicone Rubber
LIFE: Greater Than 10 Million Cycles
TRAVEL: 0.055 in.
ACTUATION FORCE: 6.35 oz. +/- 0.71oz (180g +/- 20g)
FEEDBACK: Tactile with Mechanical Snap

POWER

USB:
 300mA@5V (from CPU port)

TEMPERATURE RANGE

STORAGE: -40°F to +167°F (-40°C to +75°C)
OPERATING: -40°F to +158°F (-40°C to +70°C)

HUMIDITY

100% Humidity Resistant

VIBRATION

POWER SPECTRAL DENSITY: .04g/HZ
FREQUENCY RANGE: 20Hz-2Khz
DURATION OF TEST PER AXIS: 3 hours

SHOCK

3 X 11 ms pulses of 50g on each of 3 axis

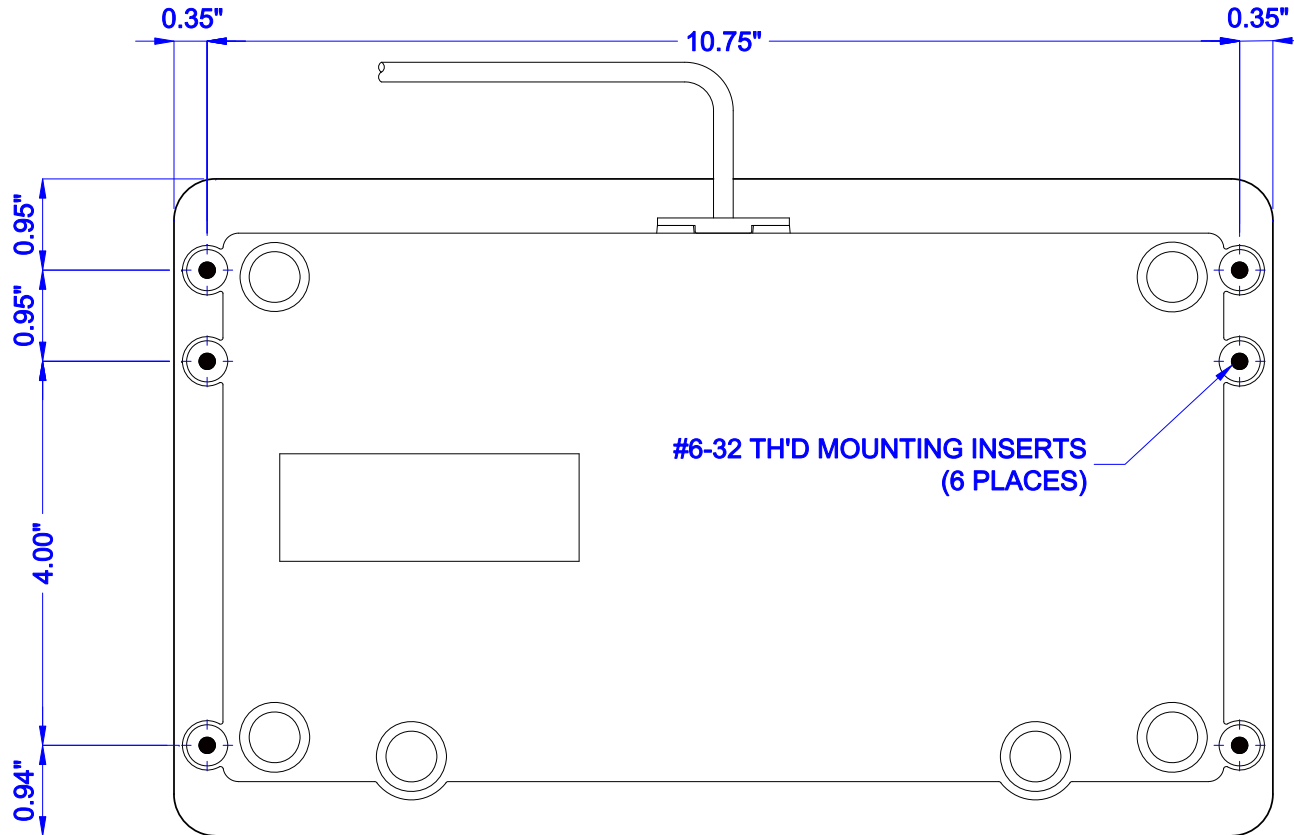
WEIGHT

1.75 lbs +/- 0.10 lbs (0.79 kg +/- 0.05 kg)

PROPRIETARY AND CONFIDENTIAL

SCALE: 1:2

SLK-880-FSR BACK/MOUNTING



ENCLOSURE CASE: ABS/Polycarbonate

PROPRIETARY AND CONFIDENTIAL

SCALE: 1:2



iKey, Ltd.
2621 Ridgpoint Dr. Suite 235
Austin, Texas 78754

©2008 iKey, Ltd.
Voice: (512) 897-0283
Fax: (512) 927-8830

Part Number: SLK-880-FSR
Drawing Title: SLK-880-FSR-MKT

Drawing Number: MKT0149
Revision: 1.10

Sheet: 2 OF 2
Date: 03.04.09
JWB