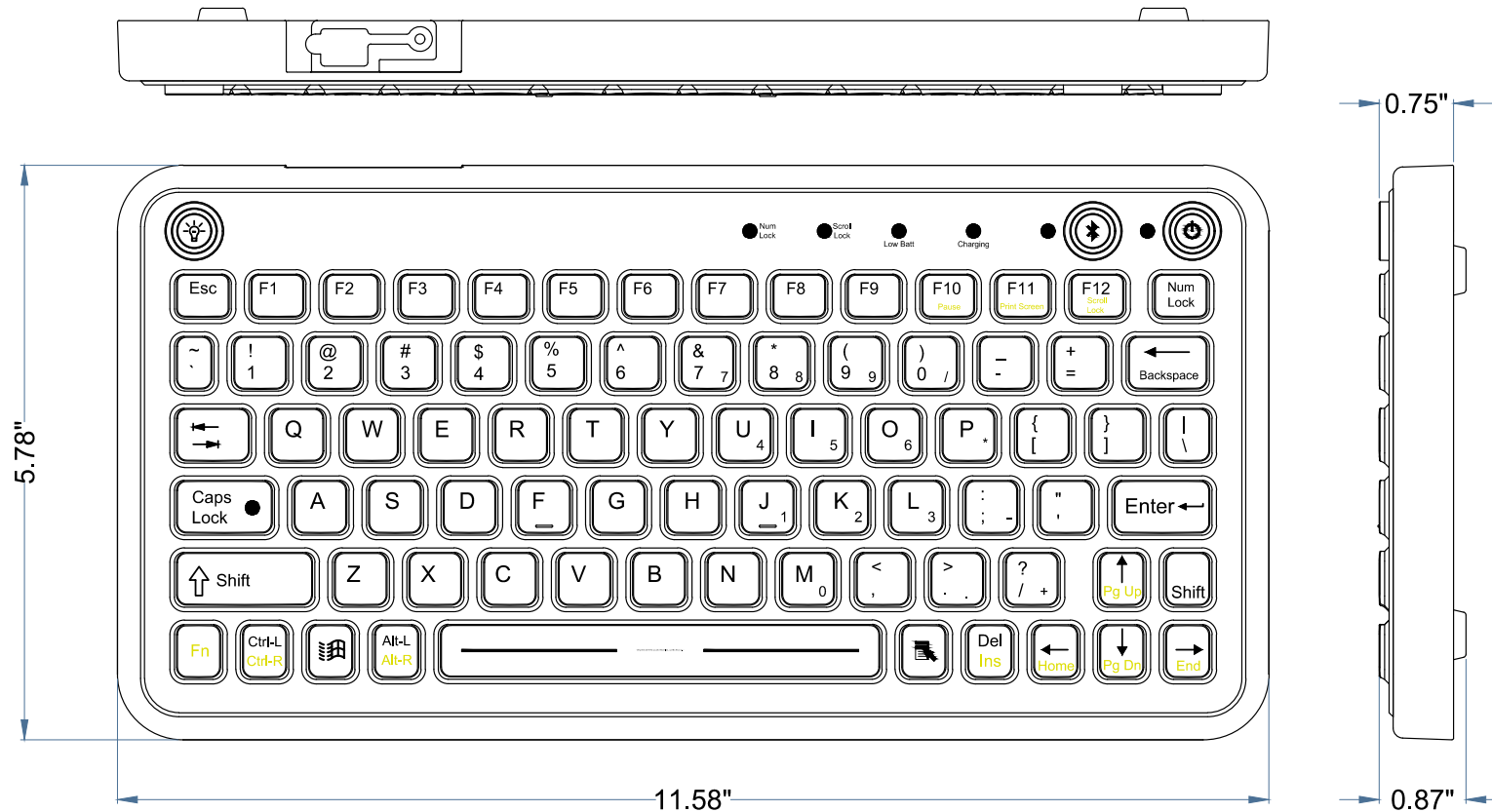


BT-80-03

DATE	CHANGES	INTL	REV
06.24.14	Original	TH	1.0



KEY SWITCH

MATERIAL: Industrial Silicone Rubber
 LIFE: Greater Than 10 Million Cycles
 TRAVEL: 0.055 in.
 ACTUATION FORCE: 7.05 oz. +/- 1.06oz (200g +/- 30g)
 FEEDBACK: Tactile with Mechanical Snap

TEMPERATURE RANGE

STORAGE: -40°F to +158°F (-40°C to +70°C)
 OPERATING: -4°F to +140°F (-20°C to +60°C)

VIBRATION

POWER SPECTRAL DENSITY: .04g/HZ
 FREQUENCY RANGE: 20Hz-2Khz
 DURATION OF TEST PER AXIS: 3 hours

POWER

BLUETOOTH
 USB Rechargeable Polymer lithium-ion Battery, 3450mAh

HUMIDITY

100% Humidity Resistant

SHOCK

3 X 11 ms pulses of 50g on each of 3 axis

WEIGHT

1.2 ± 0.10 lbs (0.54 ± 0.05 kg)

PROPRIETARY AND CONFIDENTIAL

SCALE: 1:2



iKey, Ltd.
 2621 Ridgepoint Dr. Suite 235
 Austin, Texas 78754

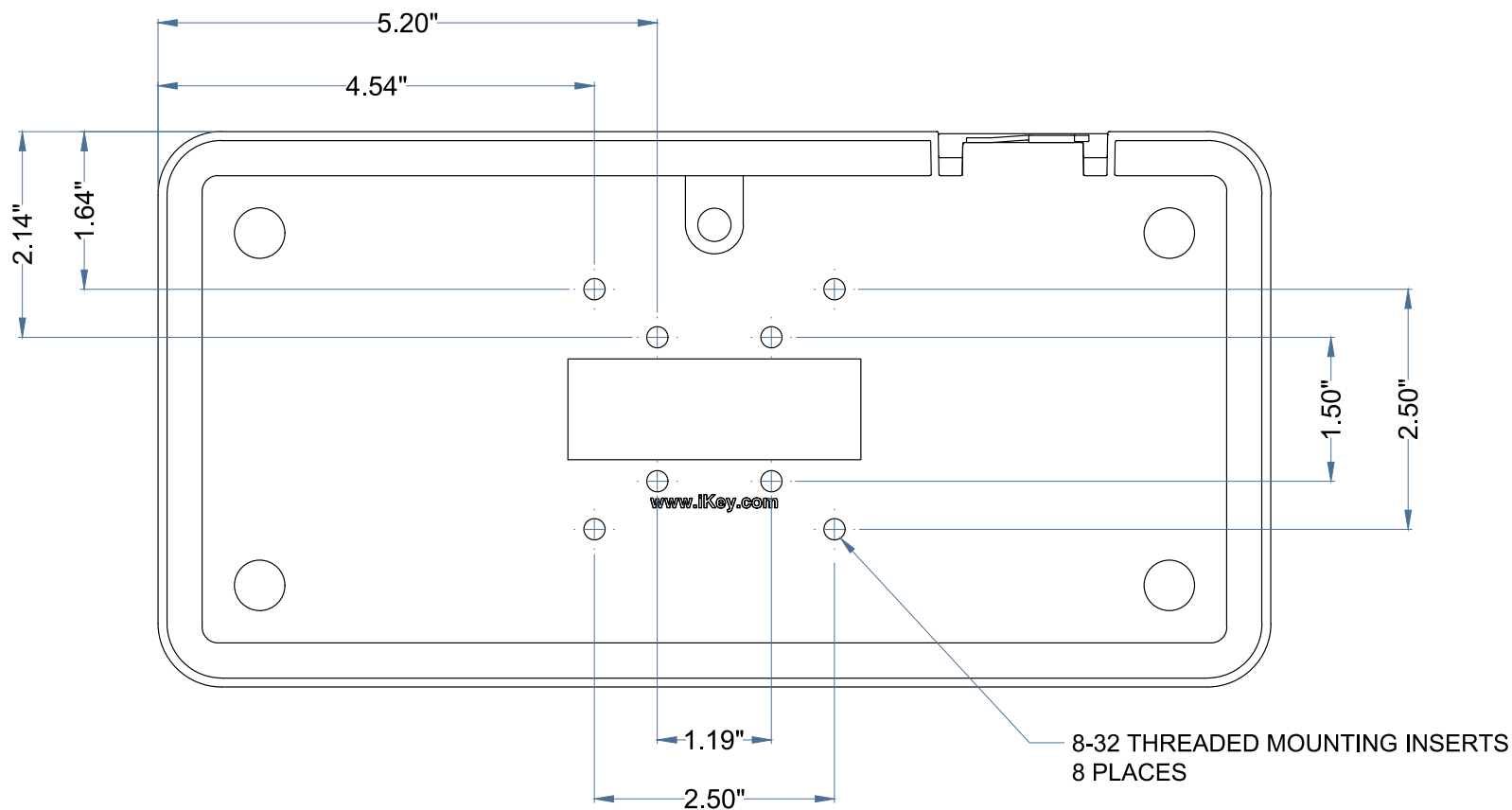
©2013 iKey, Ltd.
 Voice: (512) 837-0283
 Fax: (512) 927-8530

Part Number: BT-80-03
 Drawing Title: BT-80-03-MKT

Drawing Number: MKT0377
 Revision: 1.0

Sheet: 1 OF 2
 Date: 06.24.14
 TWH

BT-80 BACK / MOUNTING



ENCLOSURE CASE: ABS/Polycarbonate

PROPRIETARY AND CONFIDENTIAL

SCALE: 1:2



iKey, Ltd.
2621 Ridgepoint Dr. Suite 235
Austin, Texas 78754

©2013 iKey, Ltd.
Voice: (512) 837-0283
Fax: (512) 927-8530

Part Number: BT-80-03

Drawing Title: BT-80-03-MKT

Drawing Number: MKT0377

Revision: 1.0

Sheet: 2 OF 2

Date: 06.24.14

TWH