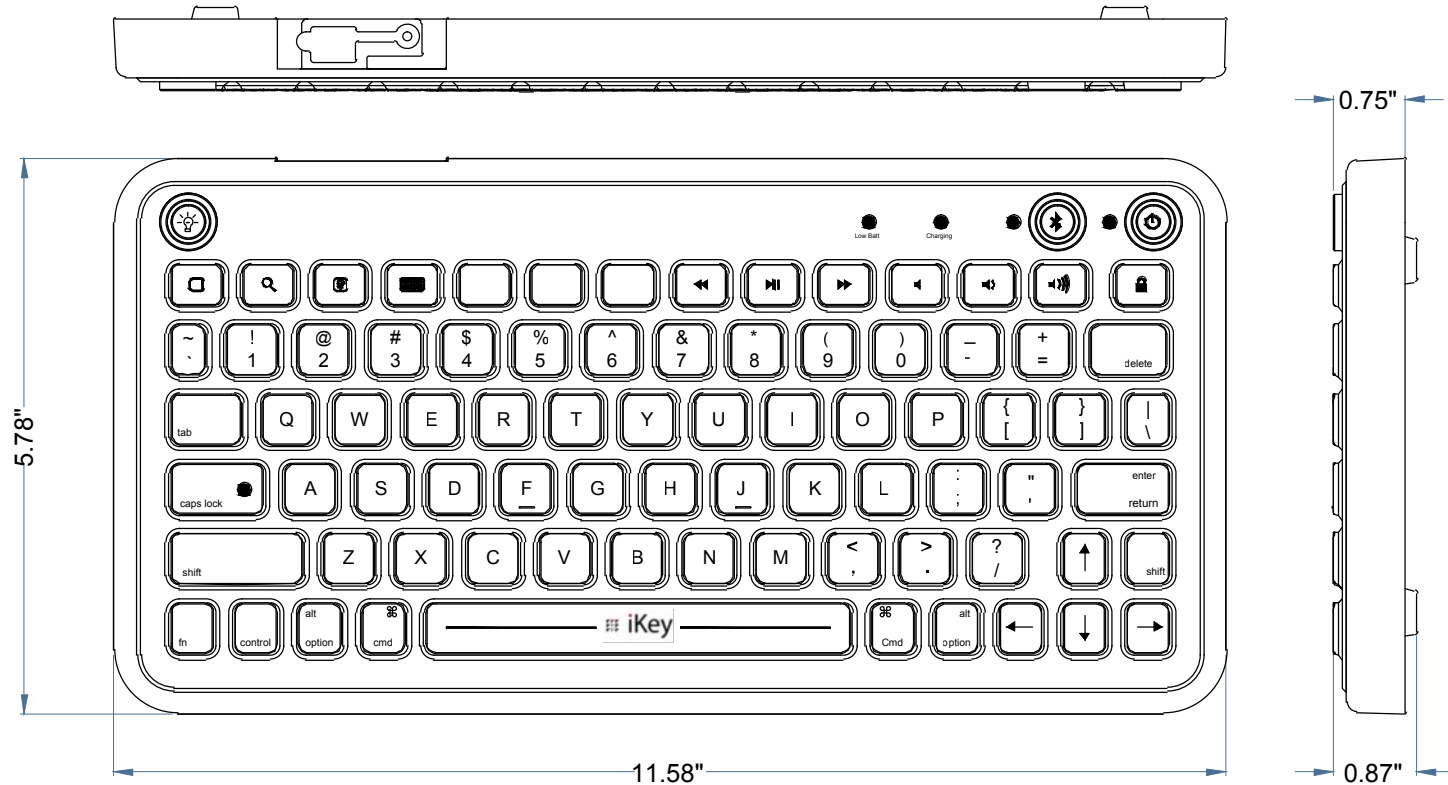


# BT-80-iP-MKT

DATE	CHANGES	INTL	REV
01.28.13	Original	TH	1.0



### KEY SWITCH

MATERIAL: Industrial Silicone Rubber  
 LIFE: Greater Than 10 Million Cycles  
 TRAVEL: 0.055 in.  
 ACTUATION FORCE: 7.05 oz. +/- 1.06oz (200g +/- 30g)  
 FEEDBACK: Tactile with Mechanical Snap

### TEMPERATURE RANGE

STORAGE: -40°F to +158°F (-40°C to +70°C)  
 OPERATING: -4°F to +140°F (-20°C to +60°C)

### VIBRATION

POWER SPECTRAL DENSITY: .04g/HZ  
 FREQUENCY RANGE: 20Hz-2Khz  
 DURATION OF TEST PER AXIS: 3 hours

### POWER

BLUETOOTH  
 USB Rechargeable Polymer lithium-ion Battery, 3450mAh

### HUMIDITY

100% Humidity Resistant

### SHOCK

3 X 11 ms pulses of 50g on each of 3 axis

### WEIGHT

1.2 ± 0.10 lbs (0.54 ± 0.05 kg)

PROPRIETARY AND CONFIDENTIAL

SCALE: 1:2



iKey, Ltd.  
 2621 Ridg e point Dr. Suite 235  
 Austin, Texas 78754  
 Voice: (512) 837-0283  
 Fax: (512) 927-8530

©2013 iKey, Ltd.

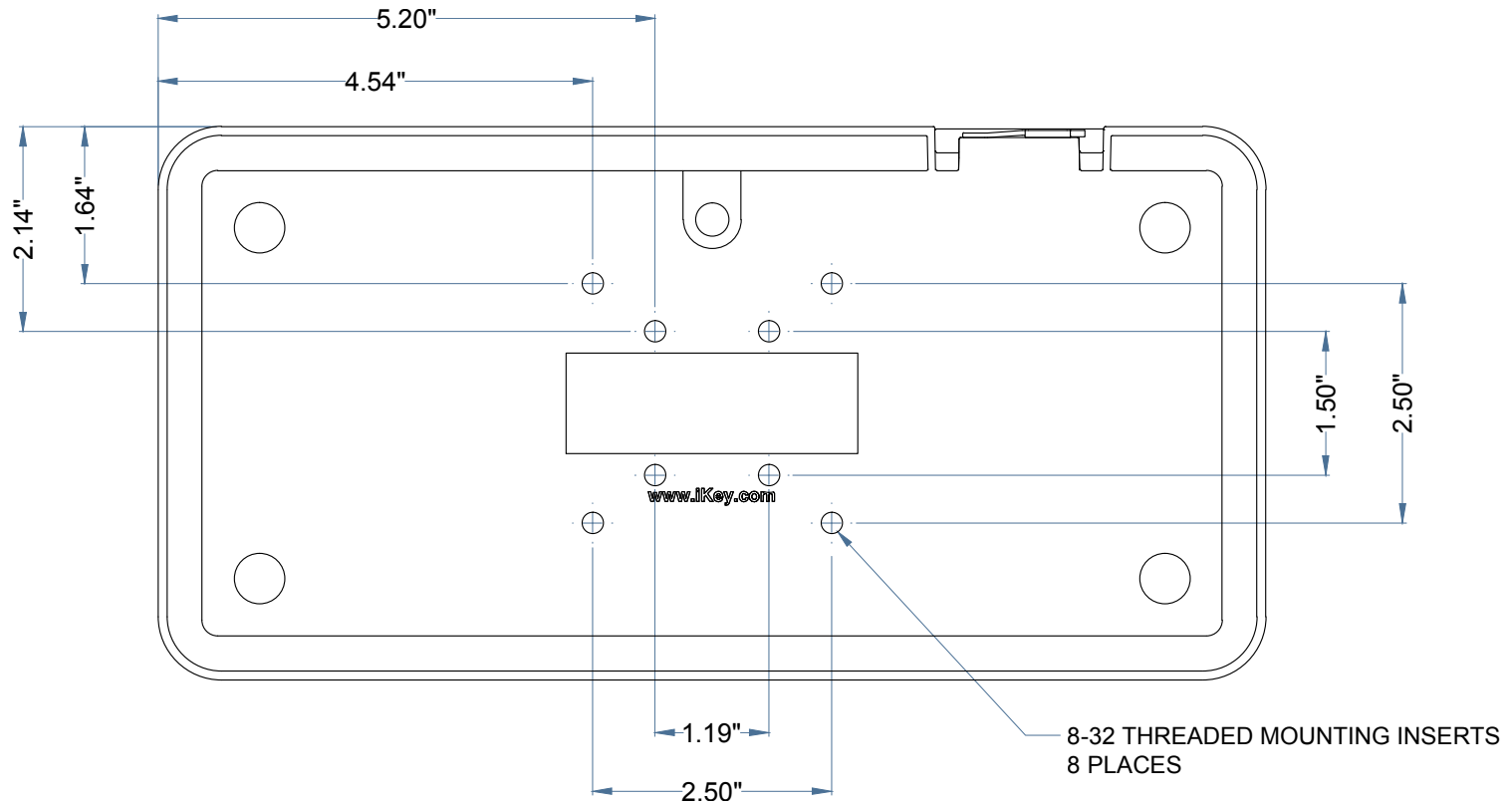
Part Number: BT-80-iP  
 Drawing Title: BT-80-iP-MKT

Drawing Number: MKT0348  
 Revision: 1.0

Sheet: 1 OF 2  
 Date: 01.28.13

TWH

# BT-80 BACK / MOUNTING



ENCLOSURE CASE: ABS/Polycarbonate

PROPRIETARY AND CONFIDENTIAL

SCALE: 1:2



iKey, Ltd.  
2621 Ridgepoint Dr. Suite 235  
Austin, Texas 78754

©2013 iKey, Ltd.  
Voice: (512) 837-0283  
Fax: (512) 927-8530

Part Number: BT-80-iP

Drawing Title: BT-80-iP-MKT

Drawing Number: MKT0348

Revision: 1.0

Sheet: 2 OF 2

Date: 01.28.13

TWH