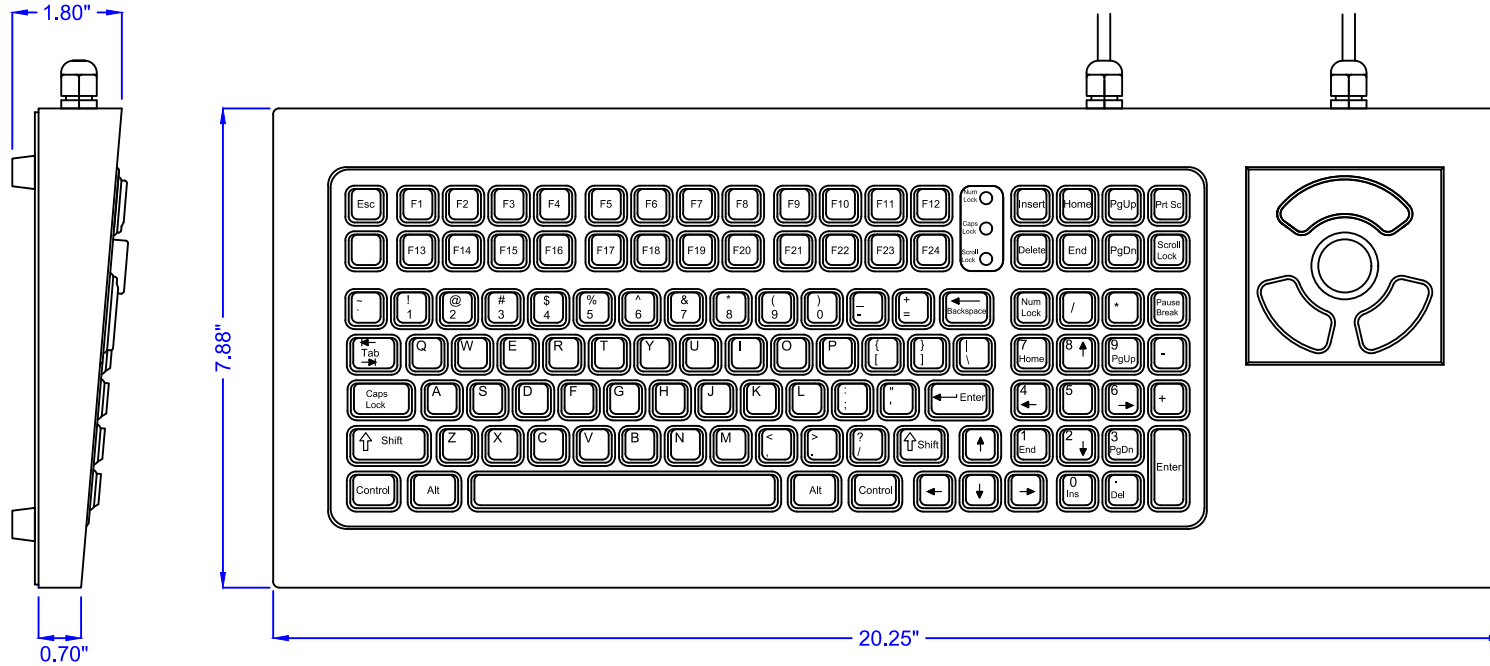


DT-2000-FSR

DATE	CHANGES	INTL	REV
09.10.08	Original	JWB	1.0



KEY SWITCH

MATERIAL: Industrial Silicone Rubber
 LIFE: Greater Than 10 Million Cycles
 TRAVEL: 0.055 in.
 ACTUATION FORCE: 6.35 oz. +/- 1.06oz (200g +/- 30g)
 FEEDBACK: Tactile with Mechanical Snap

POWER

Reference Drawing Number IS-94005 for Power Requirements
 Installation shall be in accordance with NEC, Article 504,
 ANSI, NFPA 70

TEMPERATURE RANGE

STORAGE: -40°F to +158°F (-40°C to +70°C)
 OPERATING: -4°F to +140°F (-20°C to +60°C)

HUMIDITY

100% Humidity Resistant

VIBRATION

POWER SPECTRAL DENSITY: .04g²/HZ
 FREQUENCY RANGE: 20Hz-2Khz
 DURATION OF TEST PER AXIS: 3 hours

SHOCK

3 X 11 ms pulses of 50g on each of 3 axis

WEIGHT

7.05 lbs +/- 0.10 lbs (3.74 kg +/- 0.05 kg)

PROPRIETARY AND CONFIDENTIAL

NOT TO SCALE



iKey, Ltd.
 2621 Ridgpoint Dr. Suite 235
 Austin, Texas 78754

©2008 iKey, Ltd.
 Voice: (512) 837-0283
 Fax: (512) 927-8530

Part Number: DT-2000-FSR

Drawing Title: DT-2000-FSR-MKT

Drawing Number: MKT0007

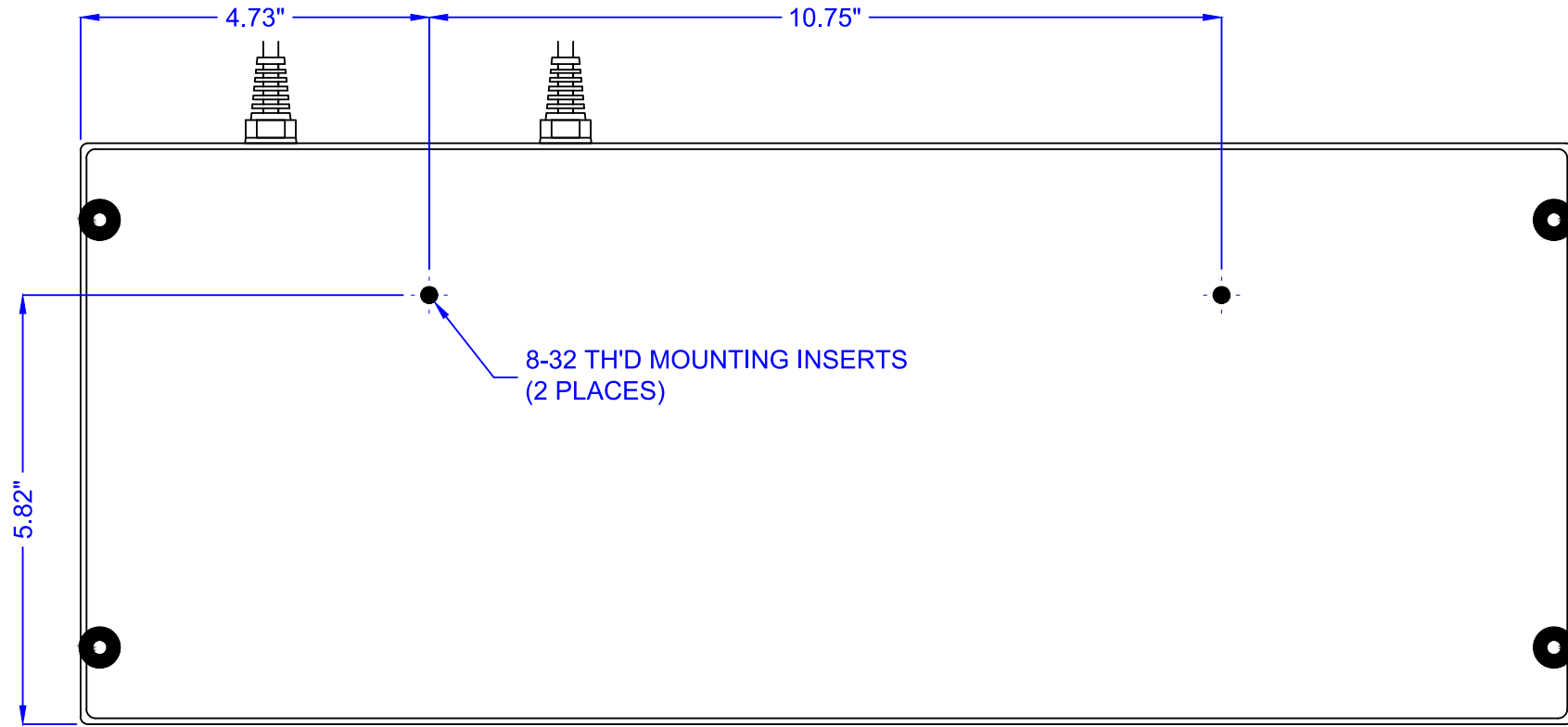
Revision: 1.0

Sheet: 1 OF 1

Date: 09.10.08

JWB

DT-2000-FSR BACK/MOUNTING



ENCLOSURE CASE: Stainless Steel

PROPRIETARY AND CONFIDENTIAL

SCALE: 1:2.5



iKey, Ltd.
2621 Ridgpoint Dr. Suite 235
Austin, Texas 78754

©2008 iKey, Ltd.
Voice: (512) 837-0283
Fax: (512) 927-8530

Part Number: DT-2000-FSR

Drawing Title: DT-2000-FSR-MKT

Drawing Number: MKT0007

Revision: 1.00

Sheet: 2 OF 2

Date: 09.10.08

JWB