

# DT-5K-FSR-IS

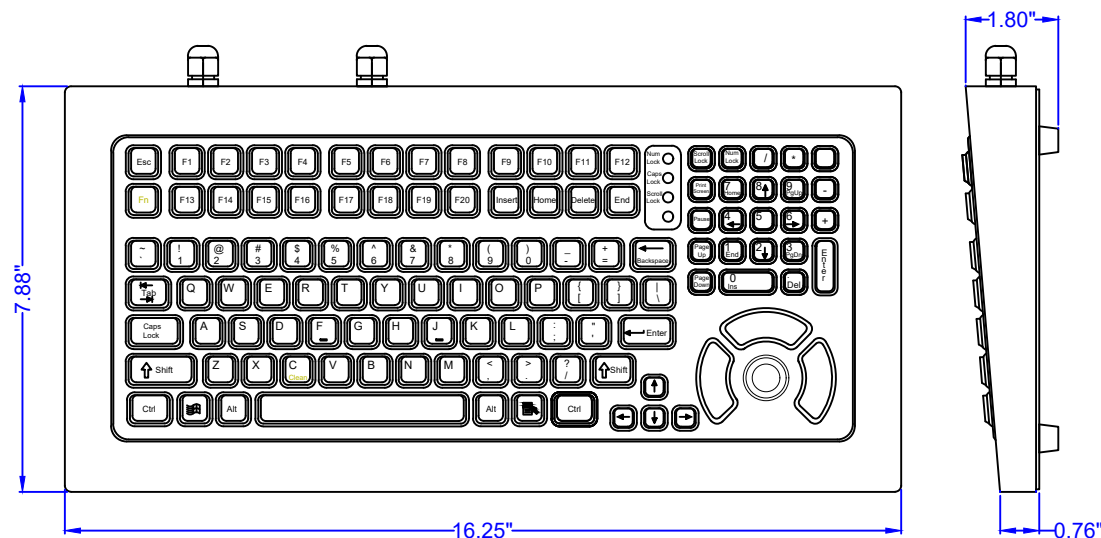
DATE	CHANGES	INTL	REV
06.12.18	Original	AH	1.0
03.07.19	Added iKey PS2-IS-BARRIER as barrier option	AH	2.0

**DESCRIPTION:** The DT-5K-FSR-IS combines a Force Sensing Resistor pointing device with a 10-key numeric keypad in a ruggedized stainless steel case carrying the FM Approvals Intrinsically Safe Certification.

**USE:** The DT-5K-FSR-IS is designed for use in Hazardous Locations as detailed below. The keyboard must be used in combination with either the Daisy Data P070-000294-01 EX210 Isolation Barrier or the iKey PS2-IS-BARRIER.

**MAINTENANCE:** There are no serviceable parts on this assembly.

**INSTALLATION:** The DT-5K-FSR-IS and either the P070-000294-01 or PS2-IS-BARRIER should only be installed in Hazardous Locations as detailed in the Certification and Operating Specifications section. Installation shall be in accordance with NEC, Article 504, ANSI, NFPA 70, reference Drawing Number HL0066.



## CERTIFICATION AND OPERATING SPECIFICATIONS:

### INTRINSIC SAFETY:

Class I/II/III, Division 1, Groups C/D/E/F/G

### TEMPERATURE CLASS:

T4 (-40°C ≤ T4 ≤ +75°C)

### ENCLOSURE TYPE:

Type 4X

### STANDARDS FOR US APPROVAL:

FM3600:2018, FM3610:2018, FM3611:2018, FM3810:2018, ANSI/UL 60079-0:2013 (Group IIB), ANSI/ISA 12.12.0:2015, ANSI/ISA 61010-1:2012, NEMA250:2014

### POWER:

Reference Drawing Number HL0066 for Power Requirements

### WEIGHT:

6.75 lbs +/- 0.10lbs (3.06 kg +/- 0.05kg)

No revision to drawing  
w/o prior FM approval

PROPRIETARY AND CONFIDENTIAL



iKey, Ltd.  
2621 Ridgpoint Dr. Suite 235  
Austin, Texas 78754

©2019 iKey, Ltd.

Voice: (512) 837-0283  
Fax: (512) 927-8530

Part Number: DT-5K-FSR-IS

Drawing Title: DT-5K-FSR-IS-MKT

Drawing Number: MKT0434

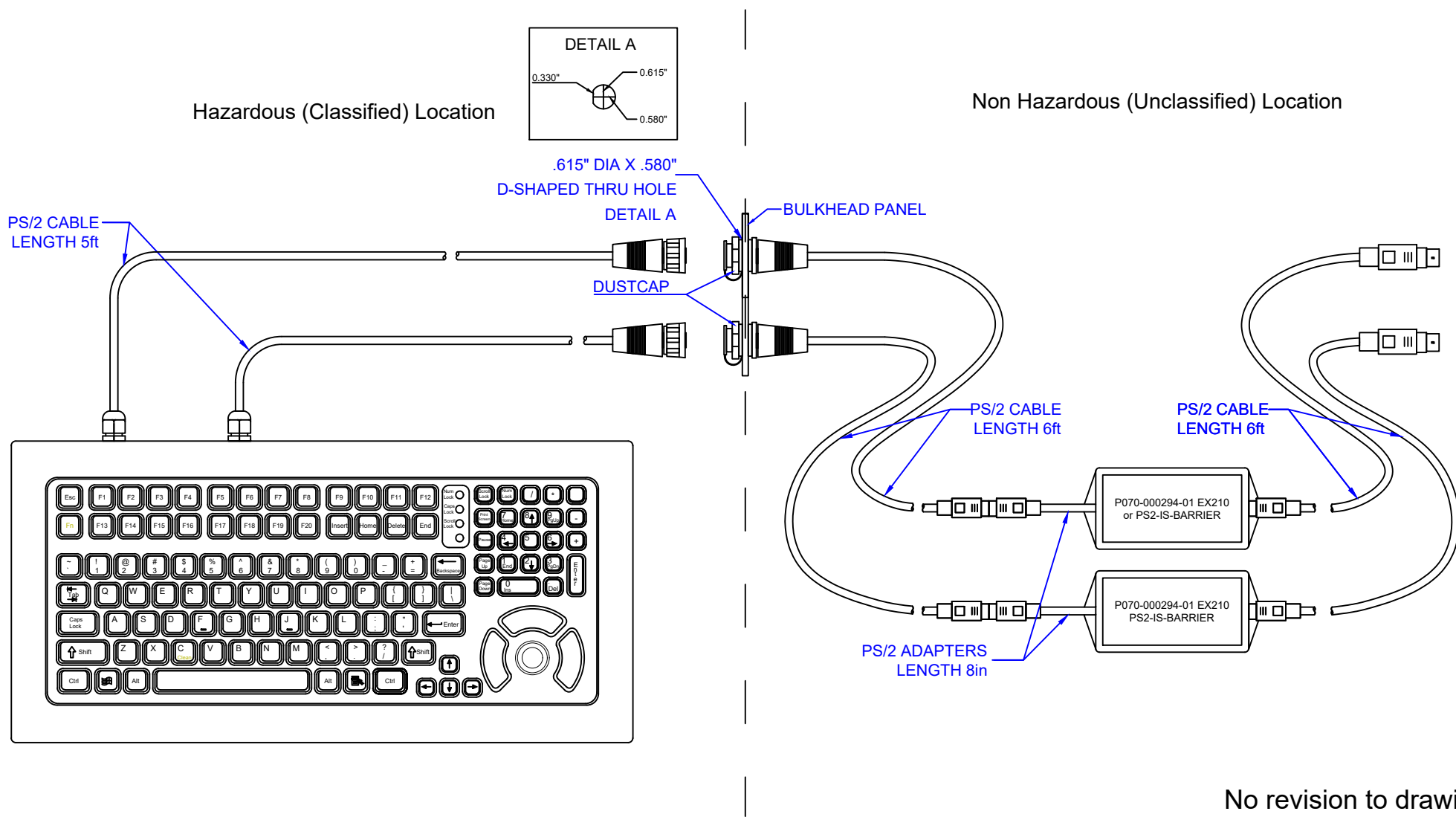
Revision: 2.0

Sheet: 1 OF 2

Date: 03.08.19

ALH

ASSEMBLING AND DISMANTLING: The DT-5K-FSR-IS keyboard must be assembled with either the Daisy Data P070-000294-01 EX210 Isolation Barrier or iKey PS2-IS-BARRIER as shown in the connection diagram below and in accordance with Drawing Number HL0066. There are no serviceable parts in this assembly.



No revision to drawing  
w/o prior FM approval



iKey, Ltd.  
2621 Ridgpoint Dr. Suite 235  
Austin, Texas 78754

©2019 iKey, Ltd.

Voice: (512) 837-0283  
Fax: (512) 927-8530

Part Number: DT-5K-FSR-IS

Drawing Title: DT-5K-FSR-IS-MKT

Drawing Number: MKT0434

Revision: 2.0

Sheet: 2 OF 2

Date: 03.08.19

ALH