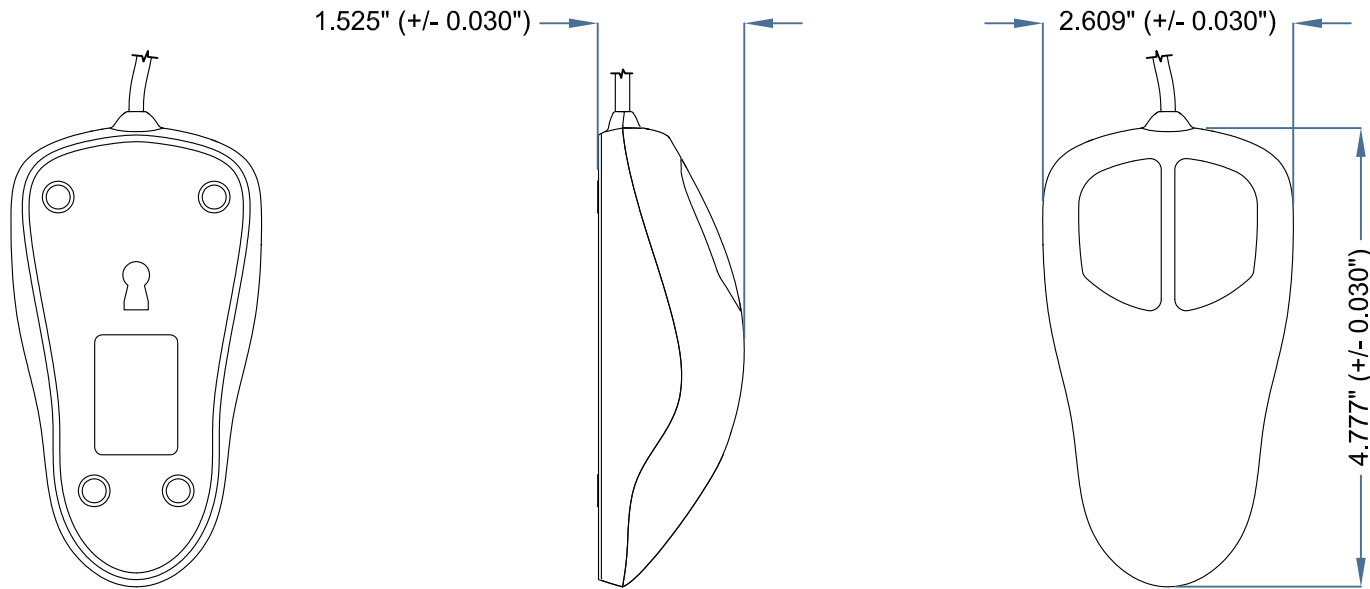


# DT-OM

DATE	CHANGES	INTL	REV
11.26.07	Original	SSH	1.0
07.07.14	Updated dimensions and views	TWH	1.1



### KEY SWITCH

MATERIAL: Industrial Silicone Rubber  
 LIFE: Greater Than 10 Million Cycles  
 TRAVEL: 0.055 in.  
 ACTUATION FORCE: 6.35 oz. +/- 1.06oz (180g +/- 30g)  
 FEEDBACK: Tactile with Mechanical Snap

### POWER

USB: 5V @ 50mA

### TEMPERATURE RANGE

STORAGE: -40°F to +194°F (-40°C to +90°C)  
 OPERATING: -40°F to +140°F (-40°C to +60°C)

### FLAMMABILITY

PRINTED CIRCUIT BOARD: 94V0  
 SILICONE OVERLAY: 94HB  
 INTERFACE CABLE: 94V0

### VIBRATION

POWER SPECTRAL DENSITY: .04g/HZ  
 FREQUENCY RANGE: 20Hz-2Khz  
 DURATION OF TEST PER AXIS: 3 hours

### SHOCK

3 X 11 ms pulses of 50g on each of 3 axis

### HUMIDITY

100% Humidity Resistant

PROPRIETARY AND CONFIDENTIAL

SCALE: 1:2



iKey, Ltd.  
 2621 Ridgepoint Dr. Suite 235  
 Austin, Texas 78754

©2014 iKey, Ltd.  
 Voice: (512) 837-0283  
 Fax: (512) 927-8530

Part Number: DT-OM

Drawing Title: DT-OM-MKT

Drawing Number: MKT0091

Revision: 1.0

Sheet: 1 OF 1

Date: 07.07.14

TWH