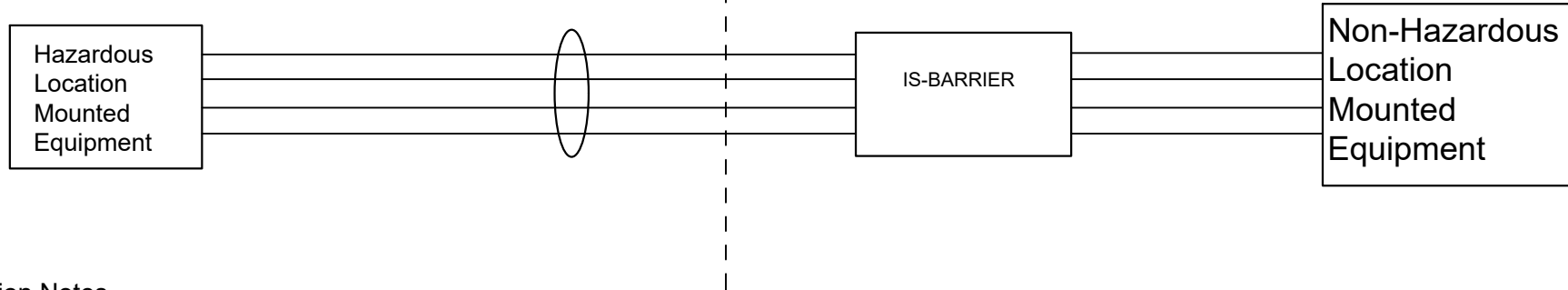


DATE	CHANGES	INTL	REV
04.20.17	Original	ALH	1.0
06.11.18	Corrected Isolator Barrier PN	ALH	1.1
05.14.19	Added new isolation barrier option	CW	2.0

Hazardous (Classified) Location  
Class I, II, III, Div 1  
Groups C,D,E,F,G

Non Hazardous (Unclassified) Location



Application Notes

1. Supply, Clock, and Data leads to be wired through P070-000AAA-01 EX210 IS Device Isolator or iKey's PS2-IS-BARRIER as shown above
2. Reference connection to ISA standard RP 12.06.01.
3. Installation shall be in accordance with the NEC, Article 504, ANSI/NFPA 70
4. Observe barrier manufacturer's installation instructions
5. Pointing device supplied with 5Vdc @ 20mA

Intrinsically Safe Installation

HP-DT-FSR-IS: Intrinsically Safe  
Class I,II,III Div 1  
Groups C,D,E,F,G  
HP-PM-FSR-IS: Intrinsically Safe  
Class I,II,III Div 1  
Groups C,D,E,F,G

Cable Parameters

**iKey PS2-IS-BARRIER**

	Groups C, E, F, G	Groups D
Max Cable Capacitance	105 uF	960uF
Max Cable Inductance	228 uH	456 uH

**P070-000AAA-01 EX210 IS Device Isolator**

	Groups C, E	Groups D, F, G
Max Cable Capacitance	558.49 uF	988.49 uF
Max Cable Inductance	138 uH	388 uH

Intrinsic Safety Barrier Specifications

P070-000AAA-01 EX210 IS Device Isolator:  
OR  
iKey PS2-IS-BARRIER

No revision to drawing  
w/o prior FM approval



iKey, Ltd.  
2621 Ridgpoint Dr. Suite 235  
Austin, Texas 78754

©2019 iKey, Ltd.

Voice: (512) 837-0283  
Fax: (512) 927-8530

Part Number: HP-DT\_PM-FSR-IS  
Drawing Title: HL0068 HP-DT\_PM-FSR-IS Control Drawing

Drawing Number: HL0068  
Revision: 2.0

Sheet: 1 OF 1  
Date: 05.14.19

CW