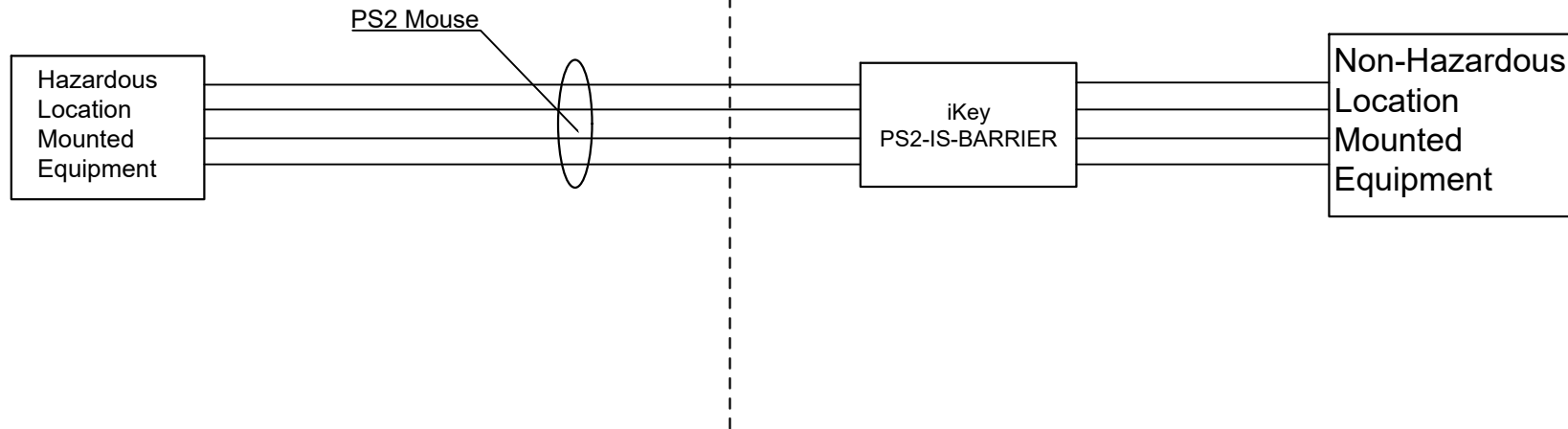


DATE	CHANGES	INTL	REV
04.20.17	Original	ALH	1.0
07.31.18	Added isolation barrier to wiring concept	ALH	1.1
09.12.18	Removed isolation barrier, added Nonincendive Field Wiring	ALH	1.2
01.07.19	Updated to Pepperl Fuchs isolation barrier	ALH	1.3
05.14.19	Added PS2-IS-BARRIER and removed Pepperl and Fuchs barrier	CW	2.0

Hazardous (Classified) Location
 Class I, Div 2 Groups A, B, C, D
 Class II, Div 2 Groups F, G
 Class III, Div 2

Non Hazardous (Unclassified) Location



Application Notes

1. Supply, Clock, and Data leads to be wired through iKey PS2-IS-BARRIER as shown above.
2. PS2-IS-BARRIER to be powered by host PC.
3. Reference connection to ISA standard RP 12.06.01.
4. Installation shall be in accordance with the NEC, Article 504, ANSI/NFPA 70
5. Observe barrier manufacturer's installation instructions

Cable Parameters

iKey PS2-IS-BARRIER

	Groups C, E, F, G	Groups D
Max Cable Capacitance	105 uF	960 uF
Max Cable Inductance	228 uH	456 uH

Specifications: Hazardous Location Devices

HP-DT-FSR-NI: Nonincendive

Class I, Div 2 Gps A,B,C,D
 Class II,III, Div 2 Gps F,G

HP-PM-FSR-NI: Nonincendive

Class I, Div 2 Gps A,B,C,D
 Class II,III, Div 2 Gps F,G

Intrinsic Safety Barrier Specifications

iKey PS2-IS-BARRIER

No revision to drawing
 w/o prior FM approval



iKey, Ltd.
 2621 Ridgpoint Dr. Suite 235
 Austin, Texas 78754

©2019 iKey, Ltd.

Voice: (512) 837-0283
 Fax: (512) 927-8530

Part Number: HP-DT_PM-FSR-NI
 Drawing Title: HL0069 HP-DT_PM-FSR-NI Control Drawing

Drawing Number: HL0069
 Revision: 2.0

Sheet: 1 OF 1
 Date: 05.14.19
 CW