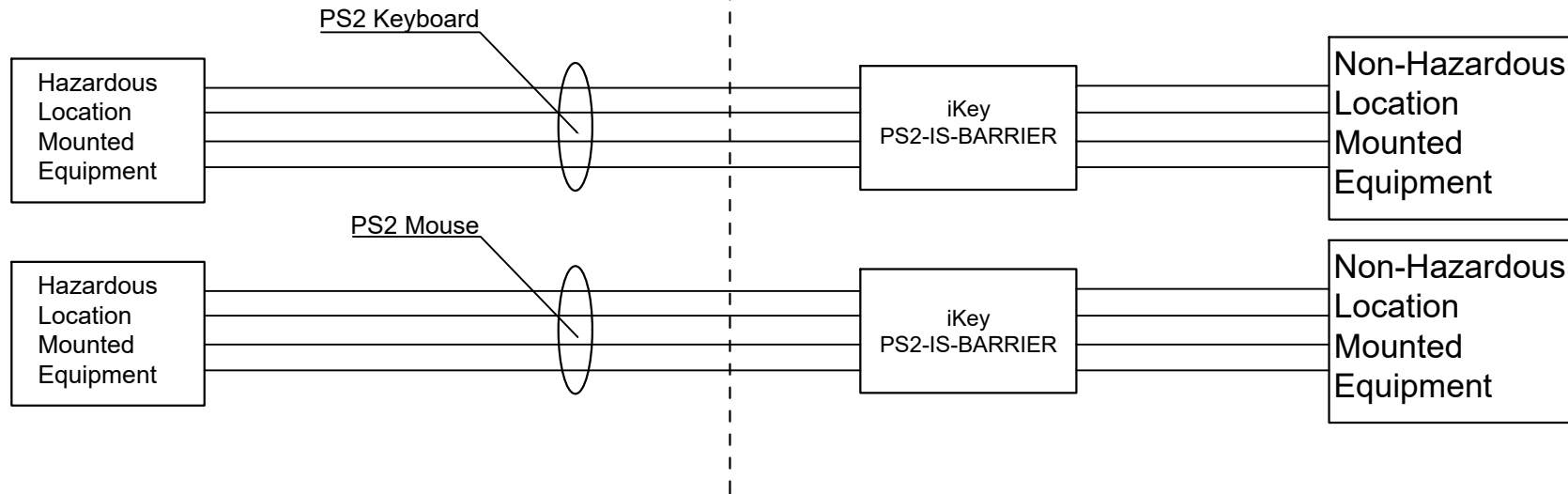


DATE	CHANGES	INTL	REV
04.25.17	Original	ALH	1.0
09.19.18	Added Isolation Barriers to wiring concept	ALH	1.1
01.07.19	Updated to Pepperl Fuchs isolation barrier	ALH	1.2
05.14.19	Added iKey isolation barrier and removed Pepperl & Fuchs barrier	CW	2.0

Hazardous (Classified) Location
 Class I, Div 2 Groups A, B, C, D
 Class II, Div 2 Groups F, G
 Class III, Div 2

Non Hazardous (Unclassified) Location



Application Notes

1. Supply, Clock, and Data leads to be wired through iKey PS2-IS-BARRIER as shown above.
2. PS2-IS-BARRIER to be powered by host PC.
3. Reference connection to ISA standard RP 12.06.01.
4. Installation shall be in accordance with the NEC, Article 504, ANSI/NFPA 70
5. Observe barrier manufacturer's installation instructions

Specifications: Hazardous Location Devices
DU-5K-FSR-NI: Nonincendive
 Class I, Div 2 Gps A,B,C,D
 Class II,III, Div 2 Gps F,G

Cable Parameters

iKey PS2-IS-BARRIER

	Groups C, E, F, G	Groups D
Max Cable Capacitance	105 uF	960uF
Max Cable Inductance	228 uH	456 uH

Intrinsic Safety Barrier Specifications
 iKey PS2-IS-BARRIER

No revision to drawing
 w/o prior FM approval