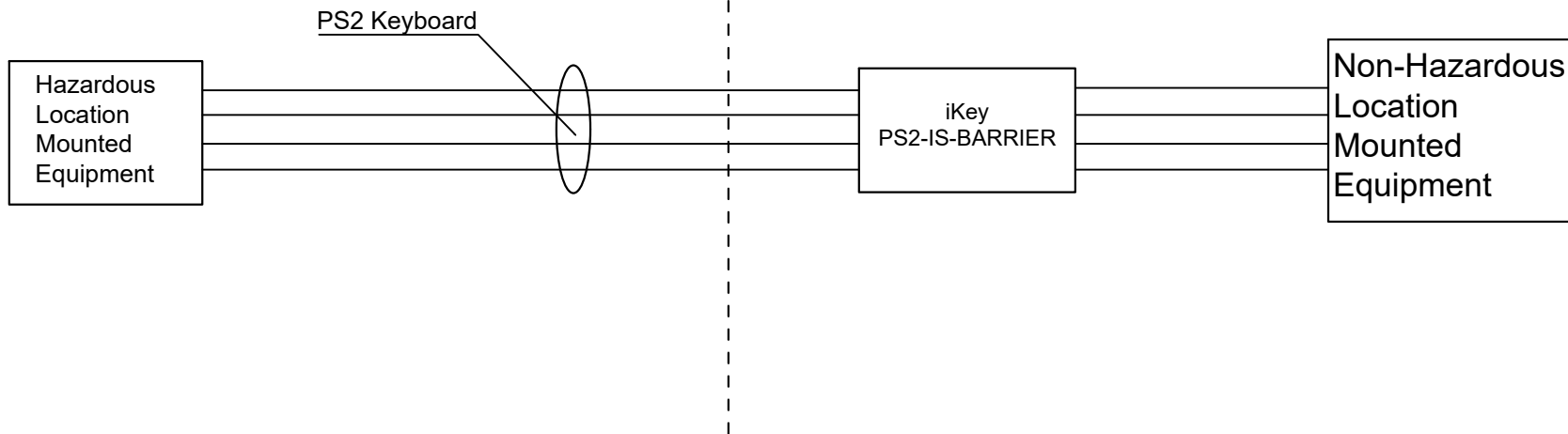


DATE	CHANGES	INTL	REV
08.03.18	Original	ALH	1.0
08.17.18	Removed Note 4 & updated Cable Param.	ALH	1.1
09.12.18	Added Nonincendive Field Wiring Concept	ALH	1.2
01.07.19	Updated to Pepperl Fuchs isolation barrier	ALH	1.3
05.14.19	Added iKey isolation barrier and removed Pepperl & Fuchs barrier	CW	2.0

Hazardous (Classified) Location
 Class I, Div 2 Groups A, B, C, D
 Class II, Div 2 Groups F, G
 Class III, Div 2

Non Hazardous (Unclassified) Location



Application Notes

1. Supply, Clock, and Data leads to be wired through iKey PS2-IS-BARRIER as shown above.
2. PS2-IS-BARRIER to be powered by host PC.
3. Reference connection to ISA standard RP 12.06.01.
4. Installation shall be in accordance with the NEC, Article 504, ANSI/NFPA 70
5. Observe barrier manufacturer's installation instructions

Specifications: Hazardous Location Devices

DT-1000-NI: Nonincendive

Class I, Div 2 Gps A,B,C,D

Class II,III, Div 2 Gps F,G

PM-1000-NI: Nonincendive

Class I, Div 2 Gps A,B,C,D

Class II,III, Div 2 Gps F,G

Cable Parameters

iKey PS2-IS-BARRIER

	Groups C, E, F, G	Groups D
Max Cable Capacitance	105 uF	960uF
Max Cable Inductance	228 uH	456 uH

Intrinsic Safety Barrier Specifications

iKey PS2-IS-BARRIER

No revision to drawing
 w/o prior FM approval