

HP-DT-FSR-IS

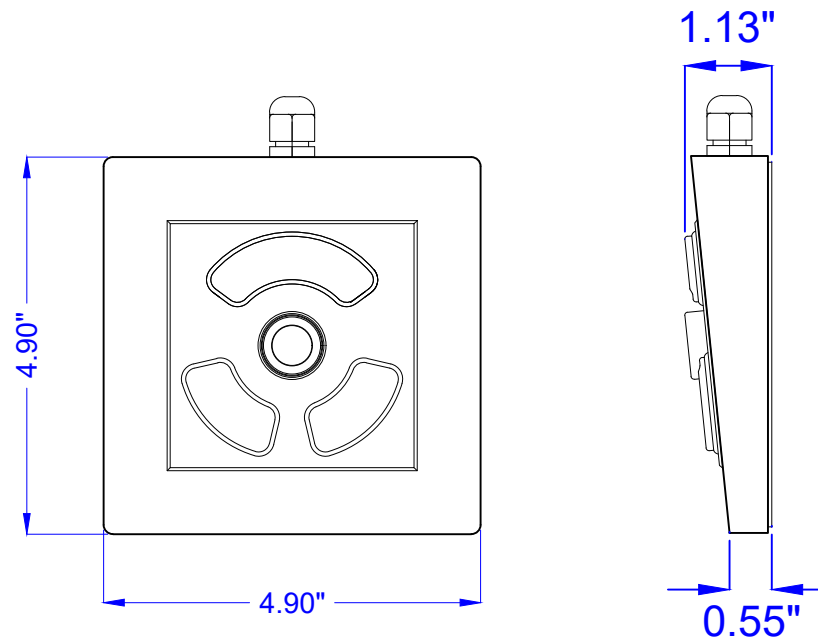
DATE	CHANGES	INTL	REV
06.13.18	Original	AH	1.0
03.20.19	Added iKey PS2-IS-BARRIER as barrier option	AH	2.0

DESCRIPTION: The HP-DT-FSR-IS combines a Force Sensing Resistor pointing device with 3 mouse buttons in a ruggedized stainless steel case carrying the FM Approvals Intrinsically Safe Certification.

USE: The HP-DT-FSR-IS is designed for use in Hazardous Locations as detailed below. The keyboard must be used in combination with either the Daisy Data P070-000294-01 EX210 Isolation Barrier or the iKey PS2-IS-BARRIER.

MAINTENANCE: There are no serviceable parts on this assembly.

INSTALLATION: The HP-DT-FSR-IS and either the P070-000294-01 or PS2-IS-BARRIER only be installed in Hazardous Locations as detailed in the Certification and Operating Specifications section. Installation shall be in accordance with NEC, Article 504, ANSI, NFPA 70, reference Drawing Number HL0068.



CERTIFICATION AND OPERATING SPECIFICATIONS:

INTRINSIC SAFETY:

Class I/II/III, Division 1, Groups C/D/E/F/G

TEMPERATURE CLASS:

T4 (-40°C ≤ T4 ≤ +75°C)

ENCLOSURE TYPE:

Type 4X

STANDARDS FOR US APPROVAL:

FM3600:2018, FM3610:2018, FM3611:2018, FM3810:2018, ANSI/UL 60079-0:2013 (Group IIB), ANSI/ISA 12.12.0:2015, ANSI/ISA 61010-1:2012, NEMA250:2014

POWER:

Reference Drawing Number HL0068 for Power Requirements

WEIGHT:

1.25 lbs +/- 0.10 lbs (0.68 kg +/- 0.05 kg)

No revision to drawing
w/o prior FM approval

PROPRIETARY AND CONFIDENTIAL



iKey, Ltd.
2621 Ridgpoint Dr. Suite 235
Austin, Texas 78754

©2019 iKey, Ltd.

Voice: (512) 837-0283
Fax: (512) 927-8530

Part Number: HP-DT-FSR-IS

Drawing Title: HP-DT-FSR-IS-MKT

Drawing Number: MKT0428

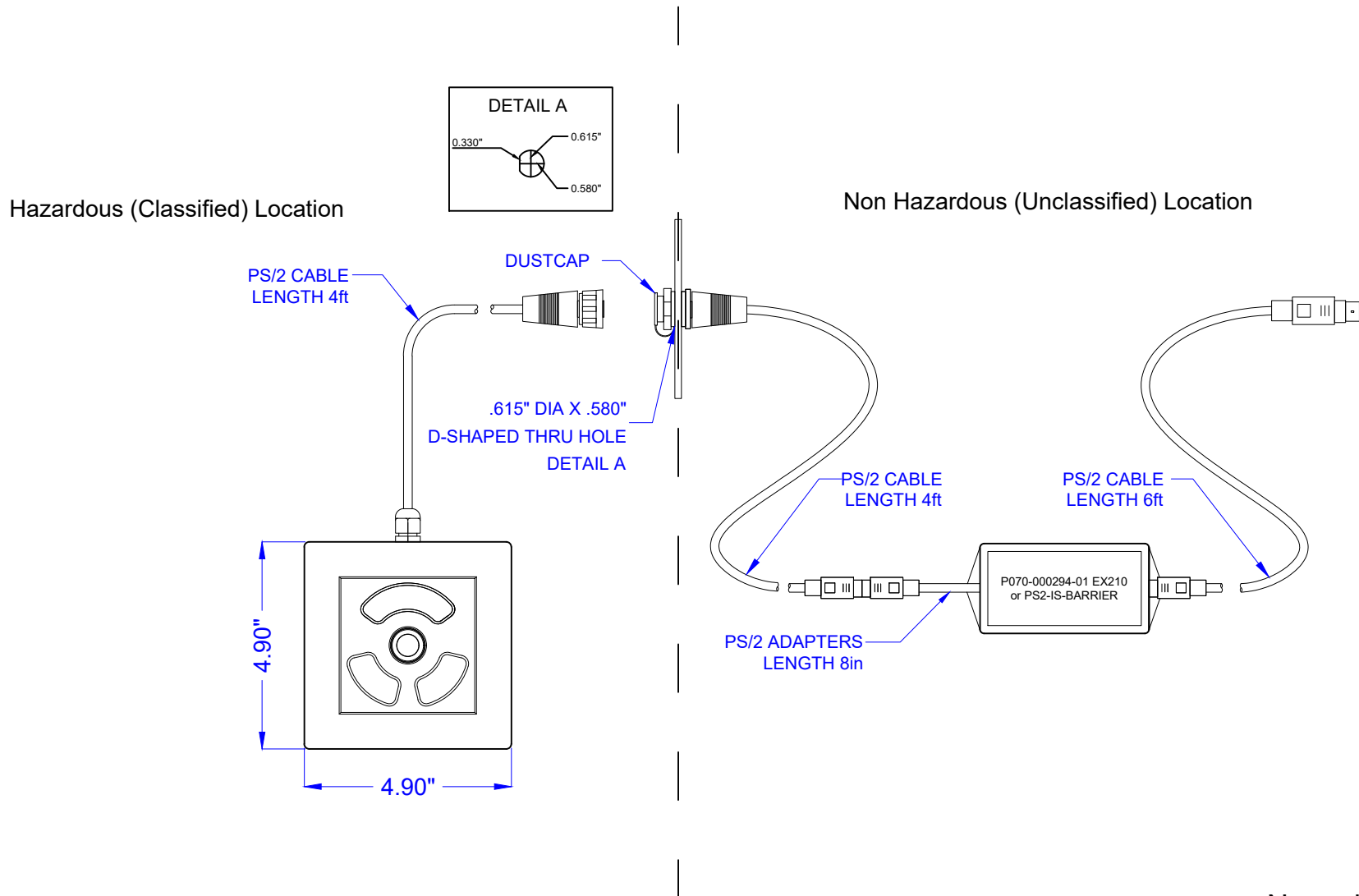
Revision: 2.0

Sheet: 1 OF 2

Date: 03.20.19

ALH

ASSEMBLING AND DISMANTLING: The HP-DT-FSR-IS keyboard must be assembled with either the P070-000294-01 or PS2-IS-BARRIER as shown in the connection diagram below and in accordance with Drawing Number HL0068. There are no serviceable parts in this assembly.



No revision to drawing w/o prior FM approval

PROPRIETARY AND CONFIDENTIAL