

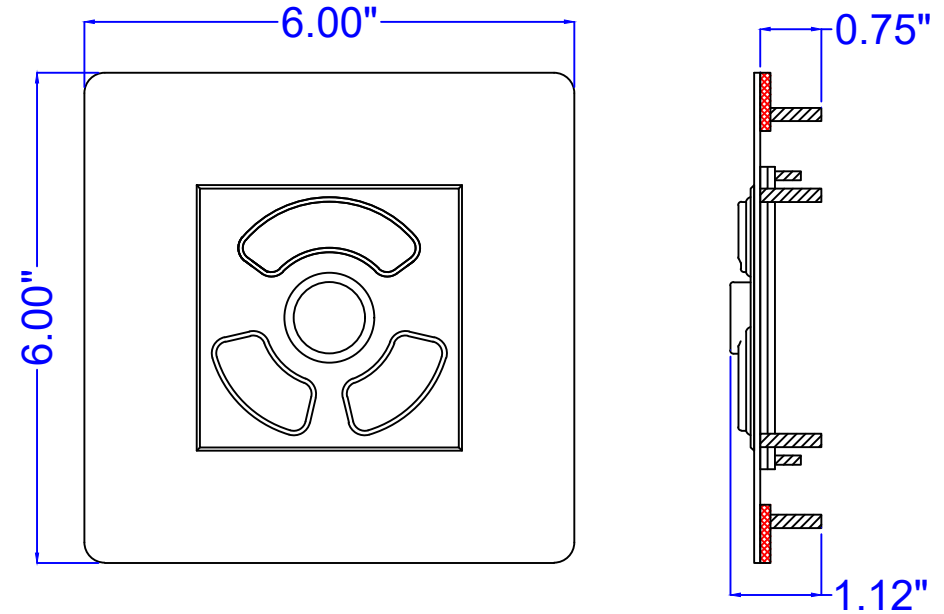
# HP-PM-FSR-NI

DATE	CHANGES	INTL	REV
06.14.18	Original	ALH	1.0
07.31.18	Added isolation barrier to wiring concept	ALH	1.1
09.13.18	Removed isolation barrier, added Nonincendive Field Wiring to concept	ALH	1.2
01.08.19	Added Pepperl & Fuchs Isolation Barrier	ALH	1.3
05.14.19	Added PS2-IS-BARRIER removed Pepperl & Fuchs barrier	CW	2.0

**DESCRIPTION:** The HP-PM-FSR-NI combines a Force Sensing Resistor pointing device with 3 mouse buttons in a ruggedized stainless steel case carrying the FM Approvals Non-Incendive Certification.

**USE:** The HP-PM-FSR-NI is designed for use in Hazardous Locations as detailed below. The keyboard must be used in combination with the iKey PS2-IS-BARRIER.

**MAINTENANCE:** There are no serviceable parts on this assembly.



## CERTIFICATION AND OPERATING SPECIFICATIONS:

**NON-INCENDIVE:**  
Class I, Division 2, Groups A/B/C/D

**TEMPERATURE CLASS:**  
T4 (-40°C ≤ T4 ≤ +75°C)

**ENCLOSURE TYPE:**  
Type 4X

**STANDARDS FOR US APPROVAL:**  
FM3600:2018, FM3610:2018, FM3611:2018, FM3810:2018, ANSI/UL 60079-0:2013 (Group IIB), ANSI/ISA 12.12.0:2015, ANSI/ISA 61010-1:2012, NEMA250:2014

**POWER:**  
Reference Drawing Number HL0069 for Power Requirements

**WEIGHT:**  
1.25 lbs +/- 0.10 lbs (0.57 kg +/- 0.05 kg)

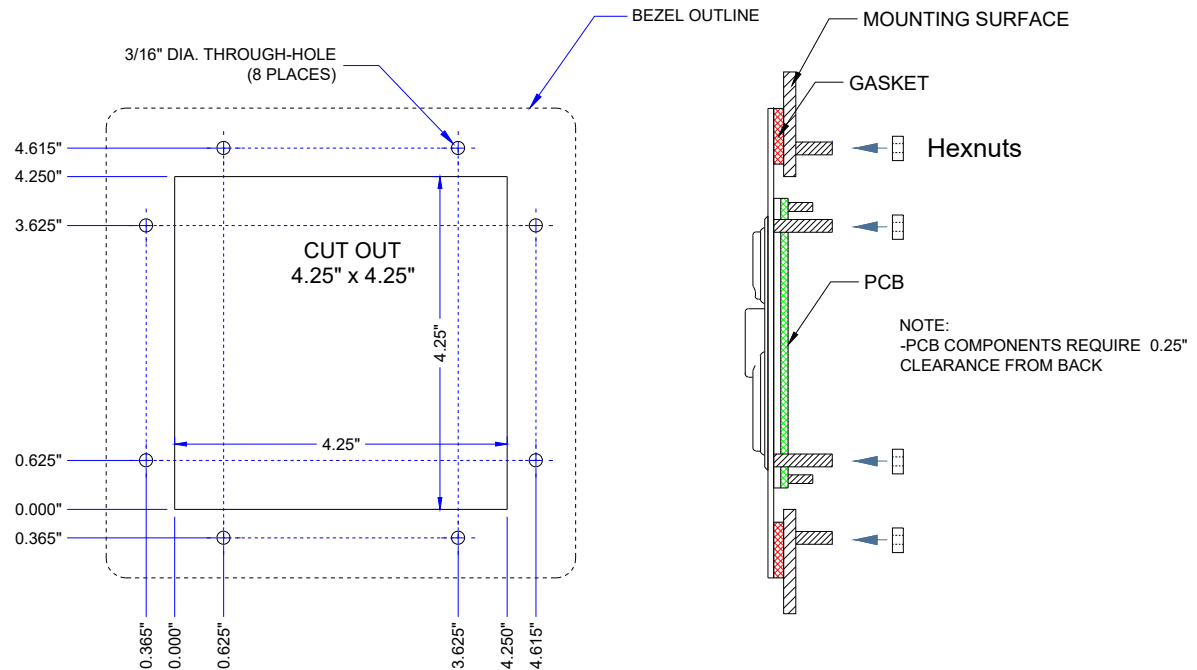
No revision to drawing w/o prior FM approval

PROPRIETARY AND CONFIDENTIAL

**INSTALLATION:** The HP-PM-FSR-NI and the PS2-IS-BARRIER should only be installed in Hazardous Locations as detailed in the Certification and Operating Specifications section. Installation shall be in accordance with NEC, Article 501, ANSI, NFPA 70, reference Drawing Number HL0069. Ensure all directions detailed below are followed:

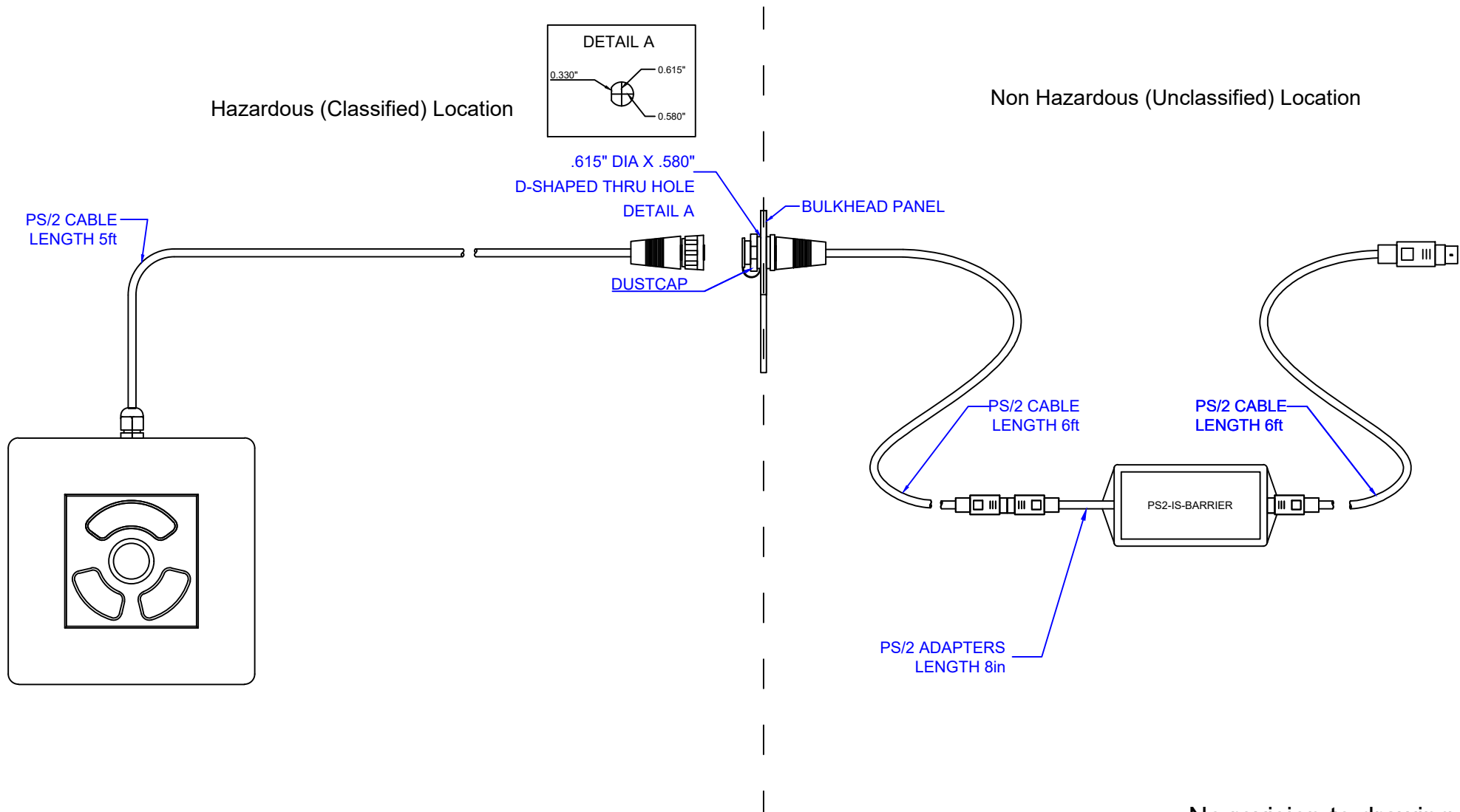
1. Place the HP-PM-FSR-NI in the mounting cutout, see diagram below.
2. Hand tighten locking hexnuts over all (8x) 8-32 x 0.75" studs.
3. Tighten with a torque wrench to 15in/lb in order shown on diagram.

**NOTE:** Installed gasket (RED) should be compressed against mounting surface to ensure NEMA 4X rating.



No revision to drawing w/o prior FM approval

ASSEMBLING AND DISMANTLING: The HP-PM-FSR-NI keyboard must be assembled with the PS2-IS-BARRIER as shown in the connection diagram below and in accordance with Drawing Number HL0069. There are no serviceable parts in this assembly.



No revision to drawing w/o prior FM approval

PROPRIETARY AND CONFIDENTIAL