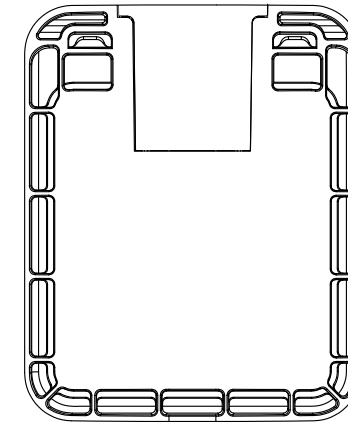
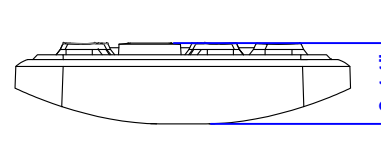
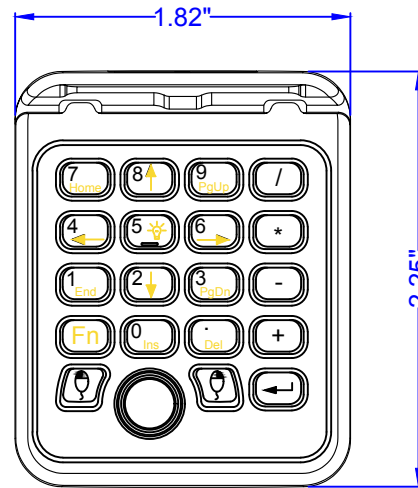
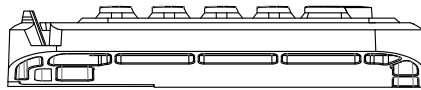
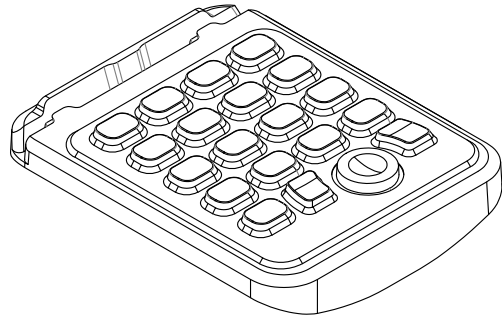


# IK-170

DATE	CHANGES	INTL	REV
11.07.16	Original	ALH	1.0



## KEY SWITCH

**MATERIAL:** Industrial Silicone Rubber  
**LIFE:** Greater Than 10 Million Cycles  
**TRAVEL:** 0.055 in.  
**ACTUATION FORCE:** 8.11 oz. +/- 1.06oz (230g +/- 30g)  
**FEEDBACK:** Tactile with Mechanical Snap

## TEMPERATURE RANGE

**STORAGE:** -31°F to +185°F (-35°C to +85°C)  
**OPERATING:** -4°F to +158°F (-20°C to +70°C)

## HUMIDITY

100% Humidity Resistant

## WEIGHT

0.30 lbs +/- 0.10 lbs

## POWER

USB: 170mA @ 5V (from CPU port)

PROPRIETARY AND CONFIDENTIAL

SCALE: 1:2



**iKey, Ltd.**  
 2621 Ridgpoint Dr. Suite 235  
 Austin, Texas 78754

©2016 iKey, Ltd.  
 Voice: (512) 837-0283  
 Fax: (512) 927-8530

Part Number: IK-170-MKT

Drawing Title: IK-170-MKT

Drawing Number: MKT0392

Revision: 1.0

Sheet: 1 OF 1

Date: 11.07.16

ALH