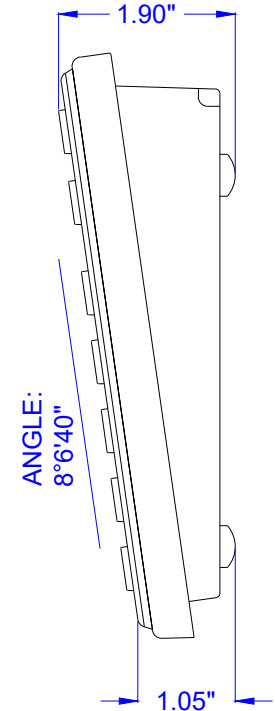
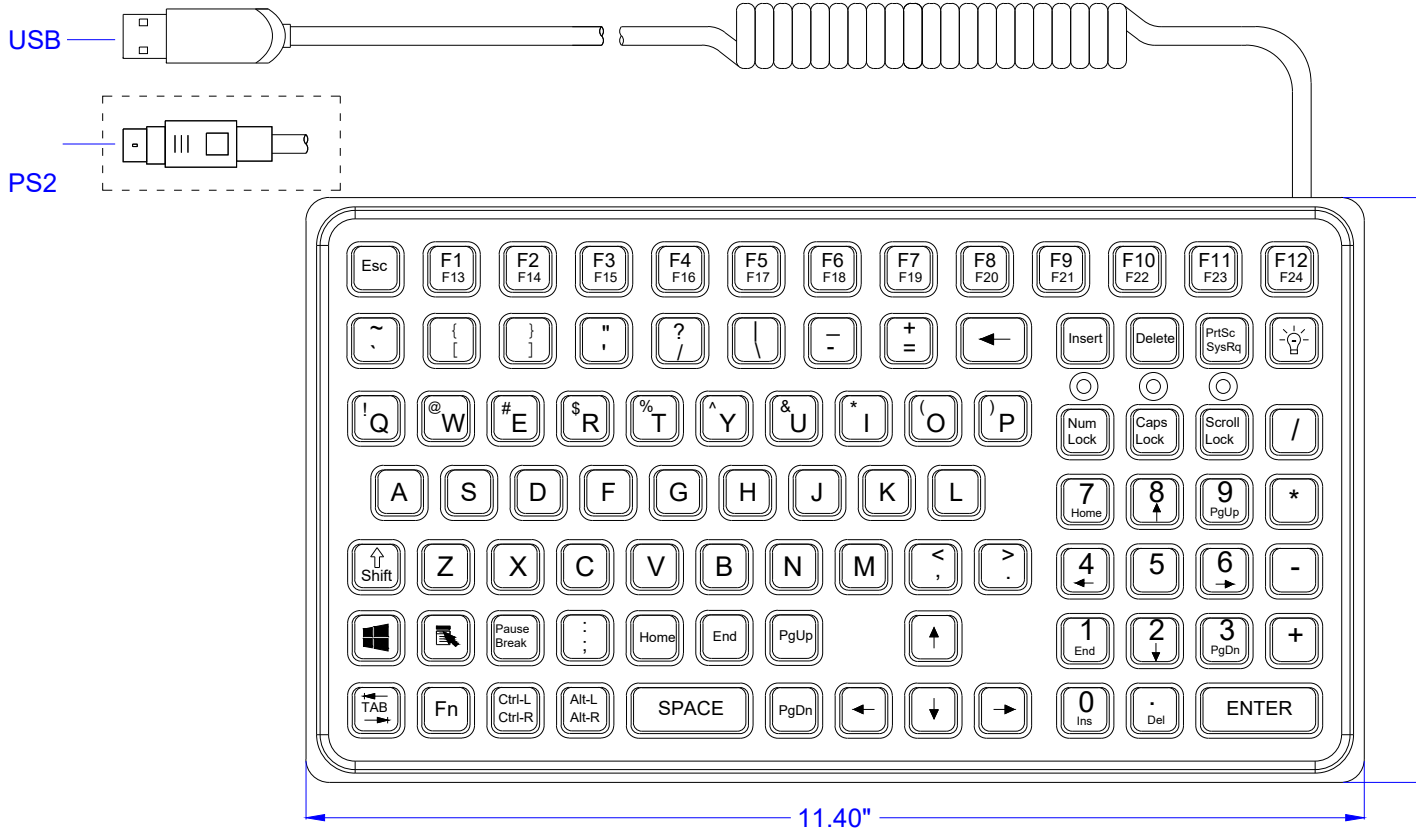


SL-910

DATE	CHANGES	REV
04.22.24	Original	1.0



KEY SWITCH

MATERIAL: Industrial Silicone Rubber
CASE MATERIAL: ABS/Polycarbonate
LIFE: Greater Than 10 Million Cycles
TRAVEL: 0.055 in.
ACTUATION FORCE: 7.03 oz. +/- 0.70 oz (200g +/- 20g)
FEEDBACK: Tactile with Mechanical Snap

TEMPERATURE RANGE

STORAGE: -40°F to +194°F (-40°C to +90°C)
OPERATING: -40°F to +158°F (-40°C to +70°C)

VIBRATION

POWER SPECTRAL DENSITY: .04g/HZ
FREQUENCY RANGE: 20Hz-2KHz
DURATION OF TEST PER AXIS: 3 hours

POWER

PS2: KEYBOARD: 200mA@5V (from Keyboard port)
USB: 200mA@5V (from CPU port)

HUMIDITY

100% Humidity Resistant

SHOCK

3 X 11 ms pulses of 50g on each of 3 axis

WEIGHT

2.25 lbs +/- 0.10 lbs (1.02 kg +/- 0.05 kg)

PROPRIETARY AND CONFIDENTIAL

SCALE 1:2



iKey, Ltd.
2621 Ridgpoint Dr. Suite 235
Austin, Texas 78754

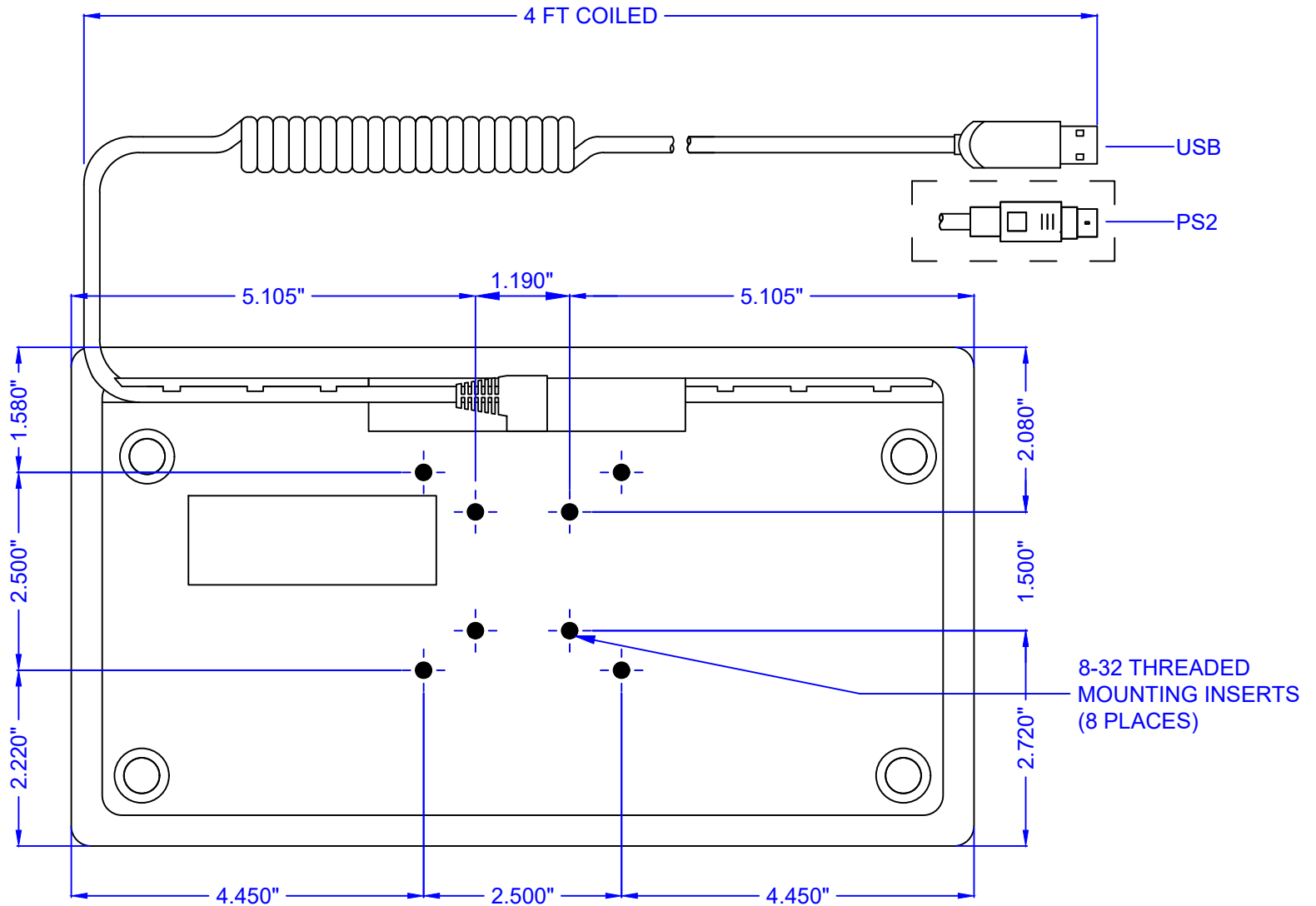
©2024 iKey, Ltd.
Voice: (512) 837-0283
Fax: (512) 927-8630

Part Number: SL-910
Drawing Title: SL-910-MKT

Drawing Number: MKT0548
Revision: 1.0

Sheet: 1 OF 2
Date: 04.22.24
ADD

SL-910



ENCLOSURE CASE: ABS/Polycarbonate

PROPRIETARY AND CONFIDENTIAL



iKey, Ltd.
2621 Ridgpoint Dr. Suite 235
Austin, Texas 78754

©2024 iKey, Ltd.
Voice: (512) 837-0283
Fax: (512) 927-8530

Part Number: SL-910
Drawing Title: SL-910-MKT

Drawing Number: MKT0548
Revision: 1.0

Sheet: 2 OF 2
Date: 04.22.24
ADD